



HP-9915A

SCHEMATICS

# HP9915

(J3) Front I/O PCB

- R9-C → RB
- R7-C → RB
- R5-C → R4
- R3-C → R2
- R1-C → R0
- Gnd-C → Gnd
- C7-C → C6
- C5-C → C4
- C3-C → C2
- C1-C → C0
- Gnd-C → Gnd
- KS-C → KC
- +6V-C → KC
- Gnd-C → Gnd
- B1-C → B0
- B3-C → B2
- B5-C → B4
- B7-C → B6
- +5V-C → +5V
- 5V-C → -5V
- RA-C → LMA
- 5V-C → -5V
- Gnd-C → Wr
- Ø12-C → PWDn
- +12V-C → Ø1
- Ø21-C → +12V
- +12V-C → Ø2
- VAB-C → +12V
- VAI-C → VA2
- VA3-C → VA4
- VAS-C → VA6
- +5V-C → +5V
- VD1-C → VDO
- VD3-C → VD2
- +5V-C → +5V
- Gnd-C → VCAS
- VRAS-C → Gnd
- Gnd-C → VWr
- HORZ-C → Gnd
- Gnd-C → VD
- VERT-C → Gnd
- CHI-C → MCLK
- +5V-C → +5V
- LED1-C → LED2
- LED3-C → LED2
- LED5-C → LED4
- LED7-C → LED6
- P27-C → RUN
- OptPwr-C → ~~OptPwr~~ Spkr
- Keyst-C → Keystart

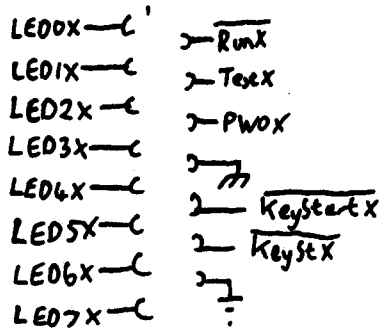
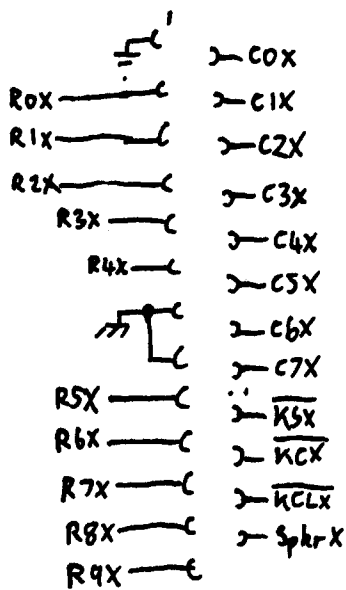
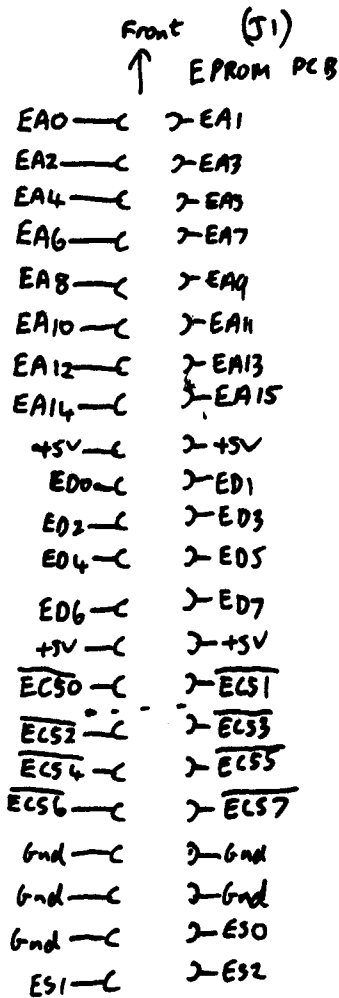
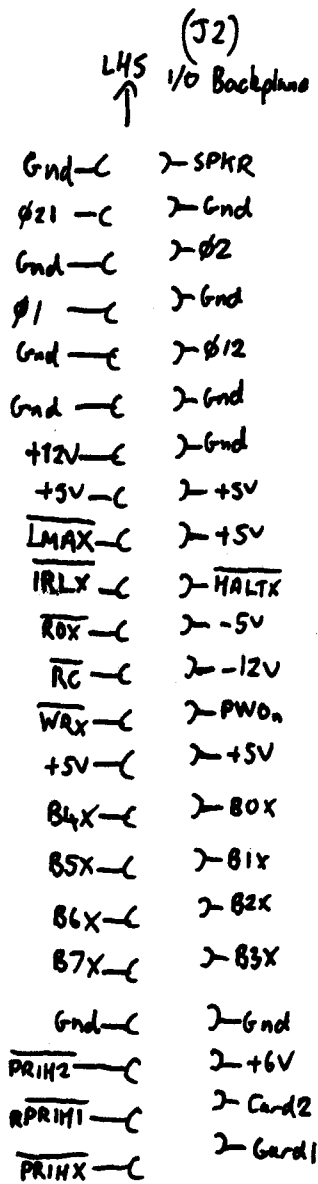
LHS (J5)

- Keypad
- R0-C → C2
- Gnd-C → C3
- KS-C → C4
- +5V-C → C5
- +5V-C → LED0
- LEDRn-C → LED1
- LEOST-C → LED2
- N/C C → LED3
- N/C C → LED4
- Keyst-C → LED5
- Keyst-C → LED6
- LEDPwr-C → LED7

LHS (J4) Tape Drive

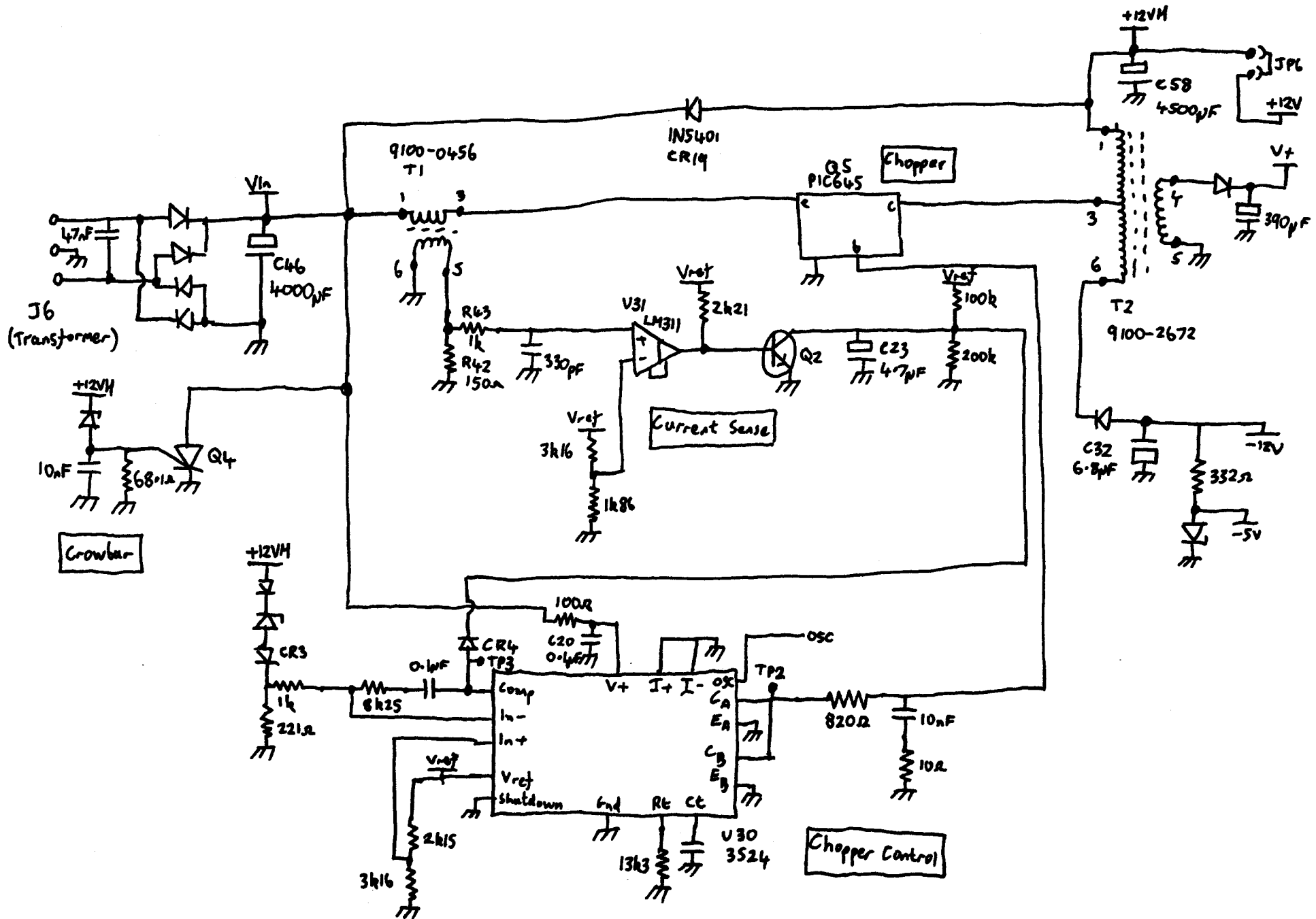
- Gnd-C → -5V
- Gnd-C → Ø1
- Ø2-C → Gnd
- Gnd-C → B0
- Gnd-C → B1
- PWDn-C → B2
- Gnd-C → B3
- +12V-C → +12VL
- Gnd-C → B4
- Gnd-C → B5
- Gnd-C → B6
- Gnd-C → B7
- +6V-C → Wr
- +6V-C → Rd
- LMA-C → Gnd
- Gnd-C → +12VH
- Gnd-C → +12VH
- Gnd-C → +12VH

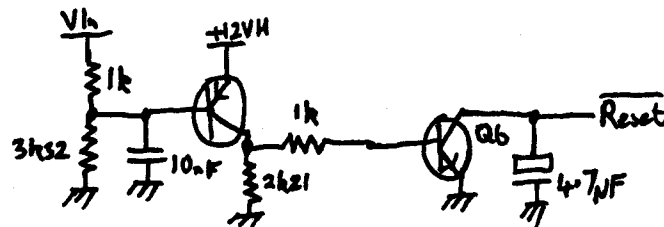
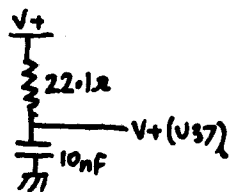
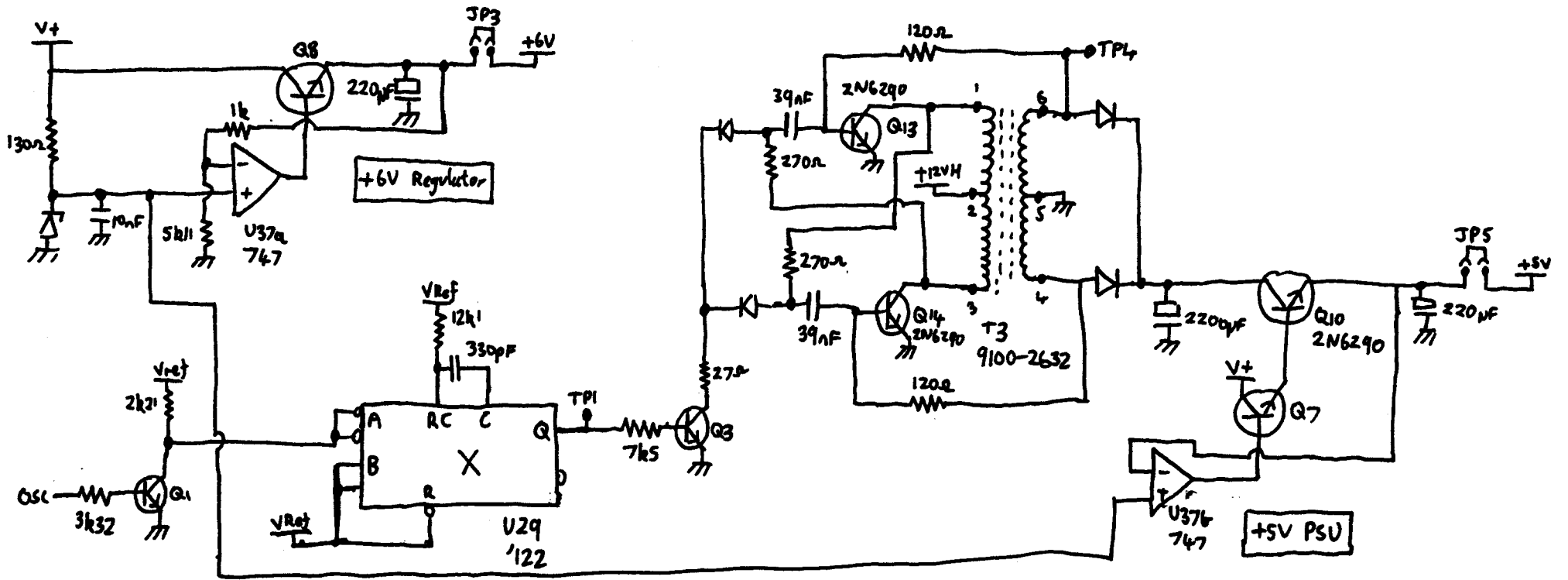
9915



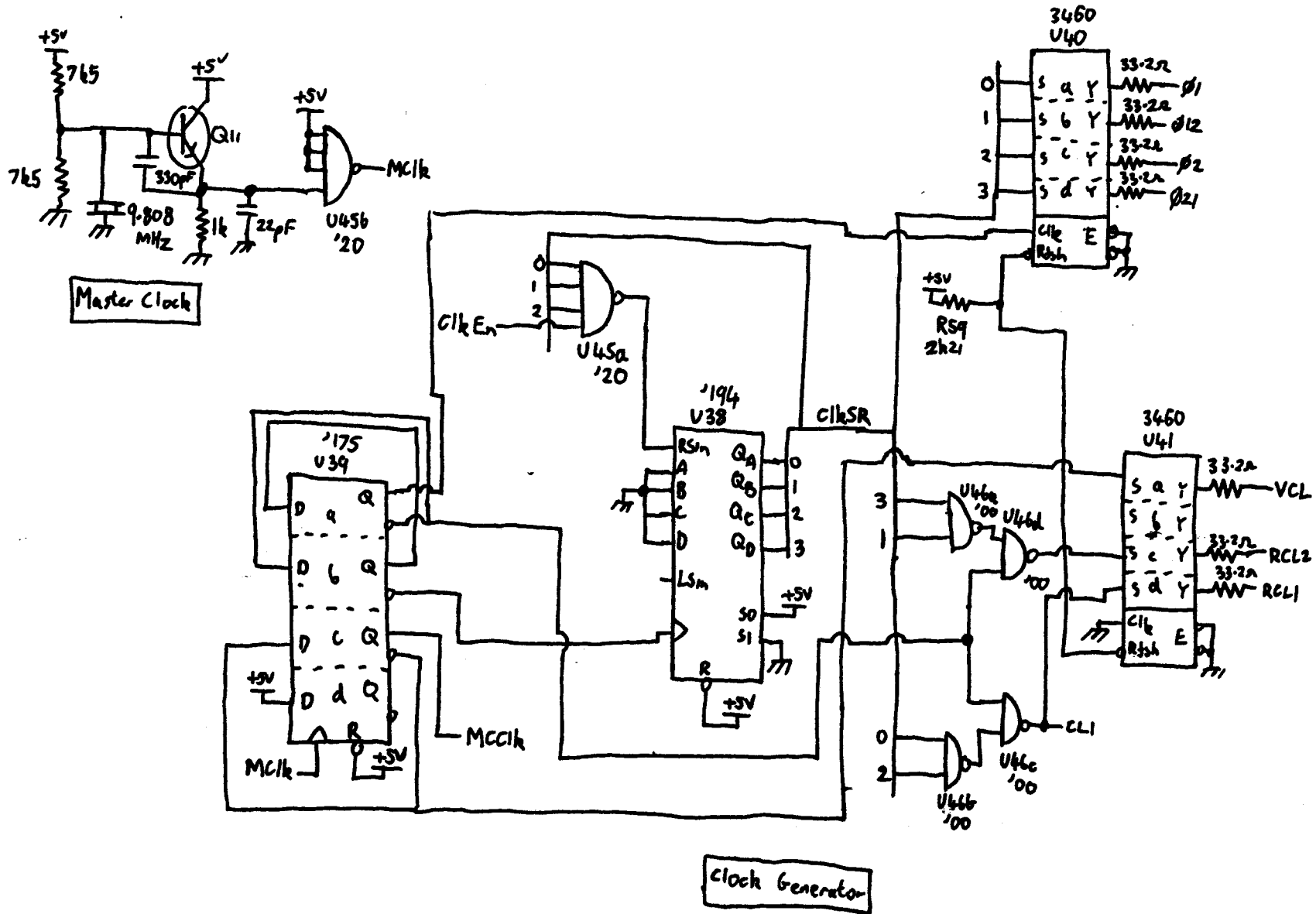
Control

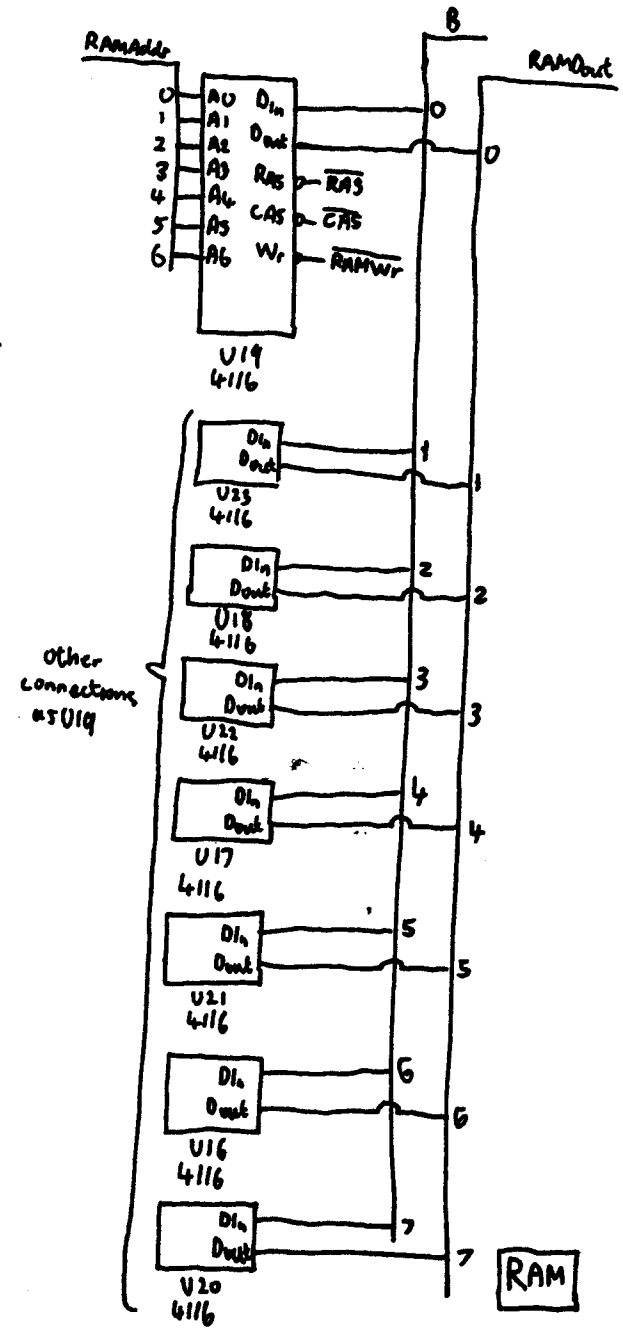
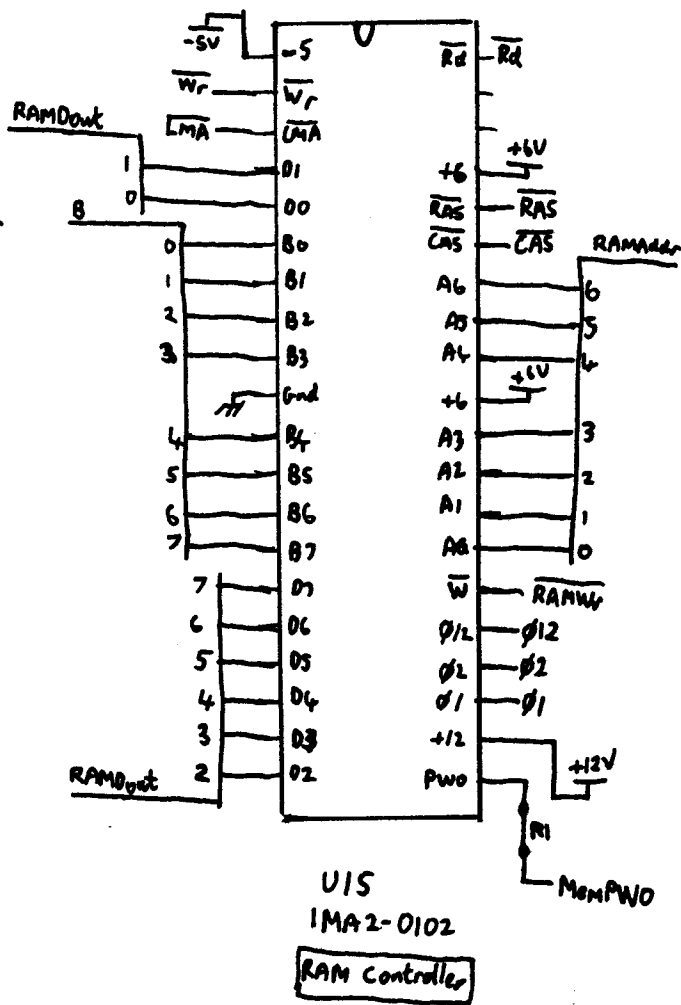
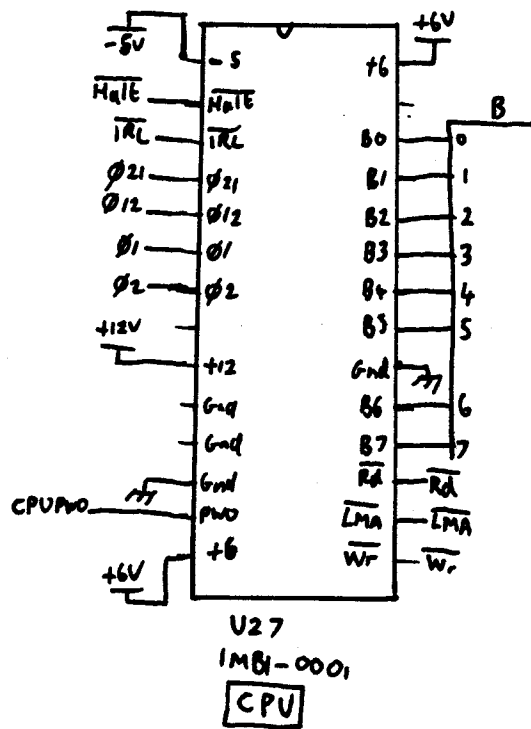
Keyboard

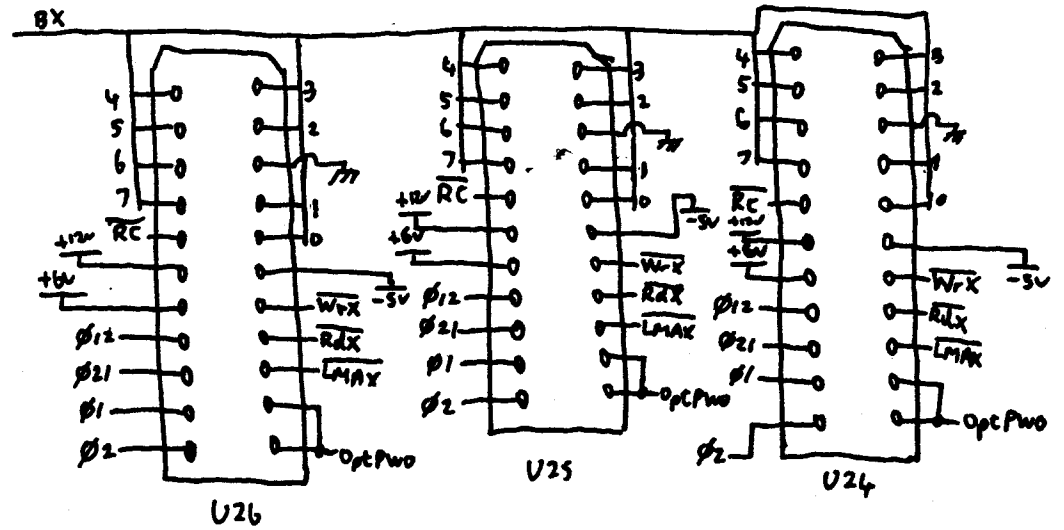
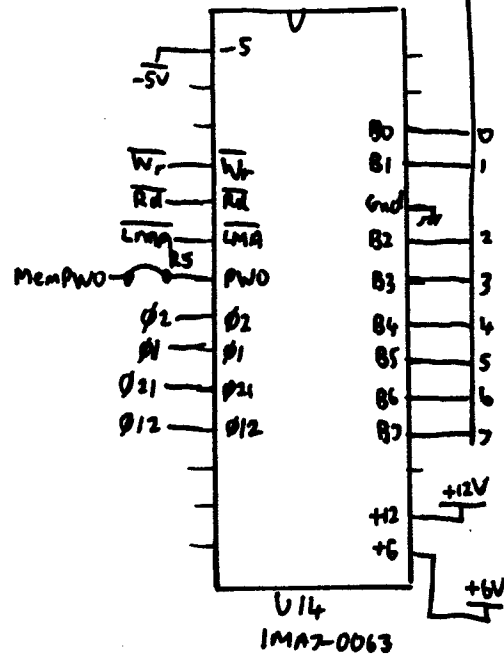
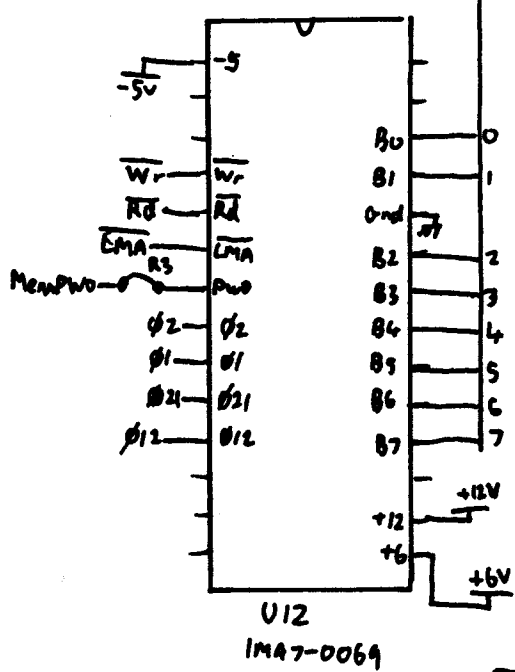
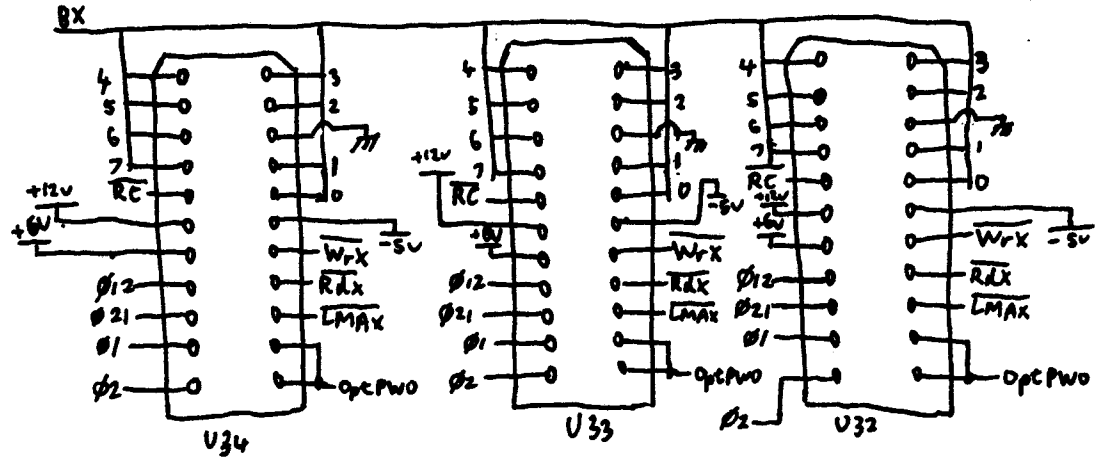
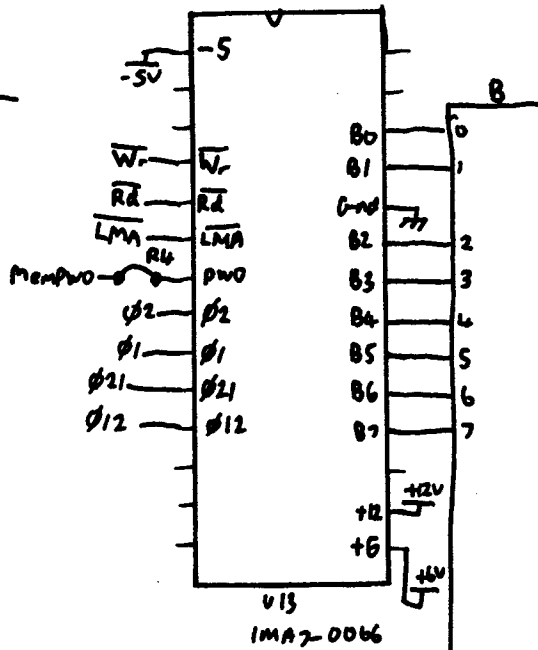
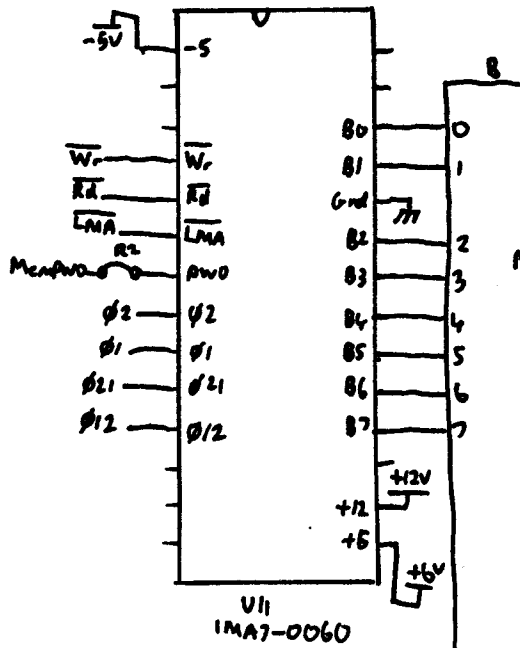




Microcontroller Reset



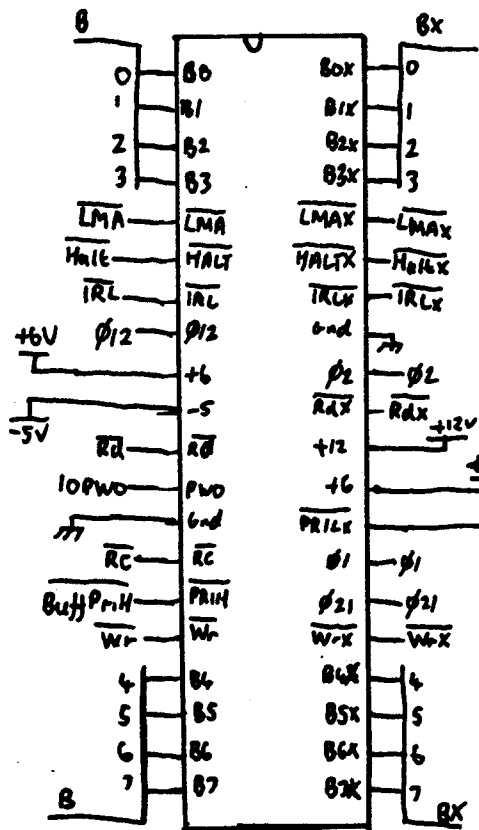




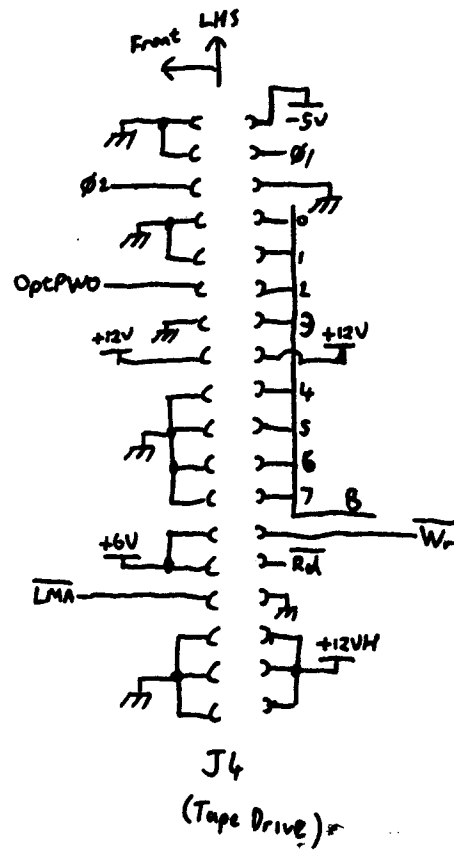
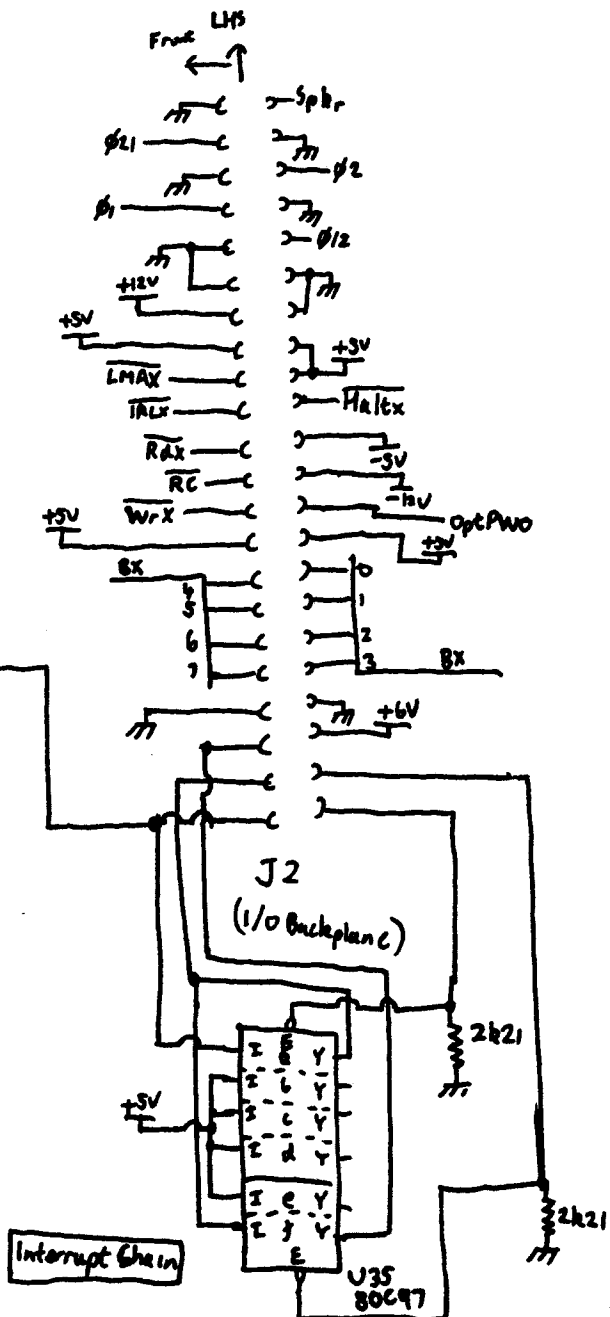
Option ROM

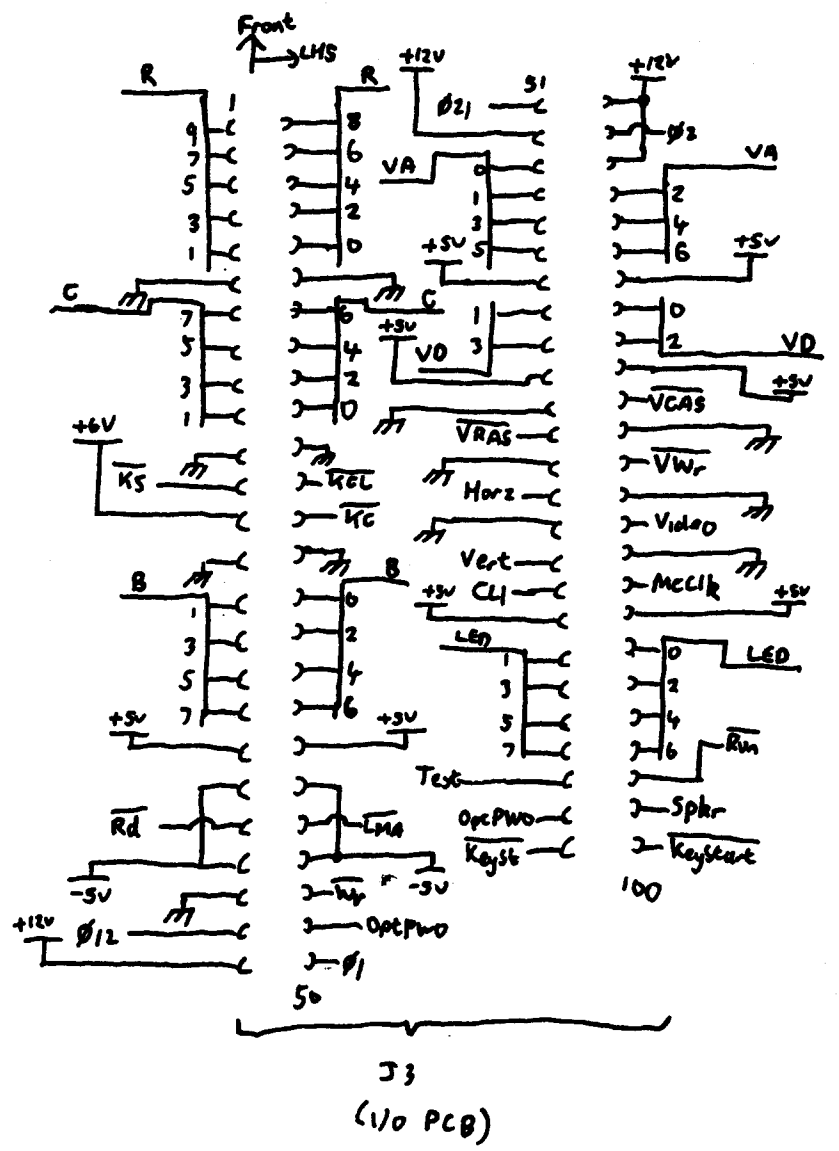
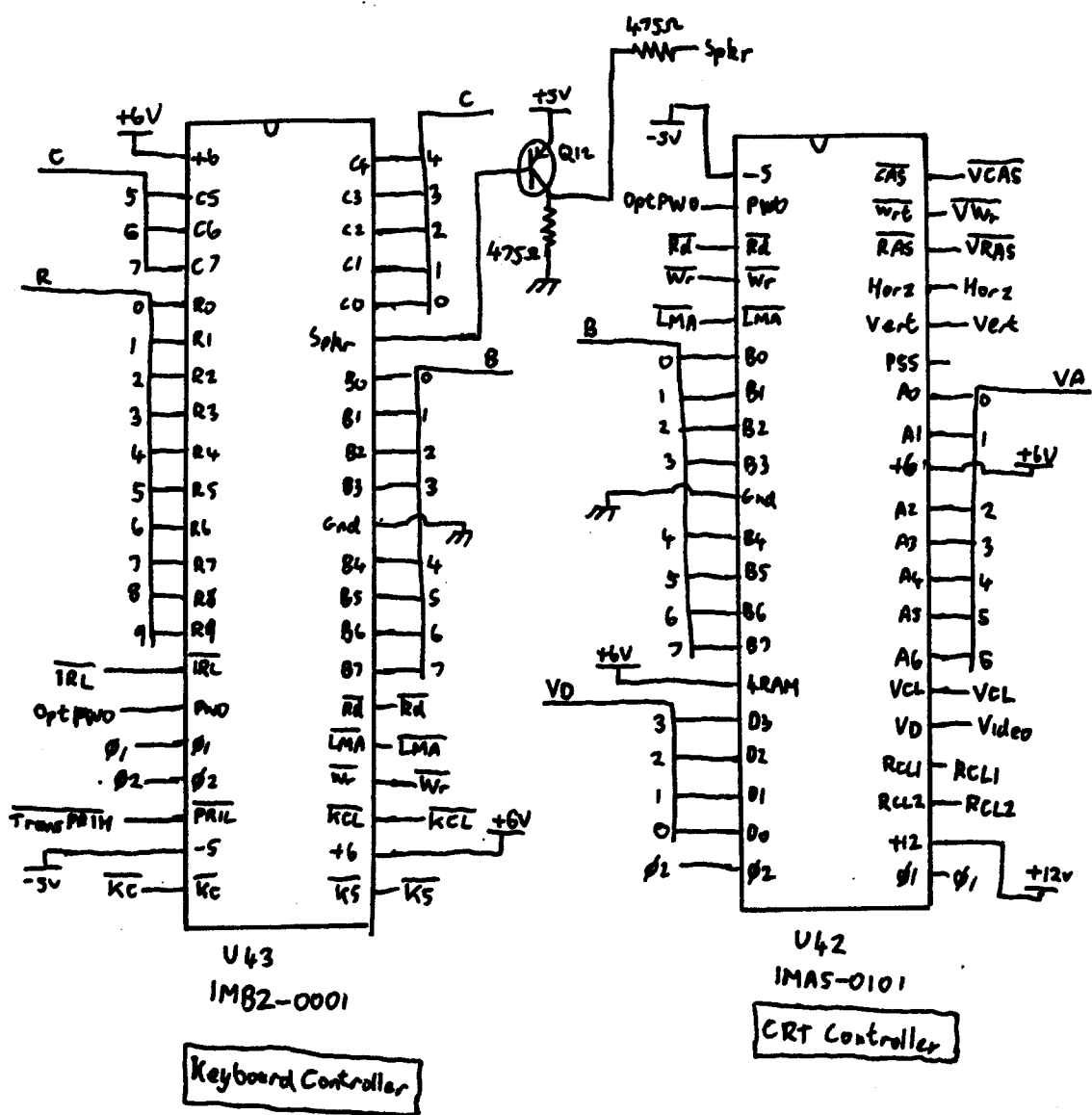
ROM

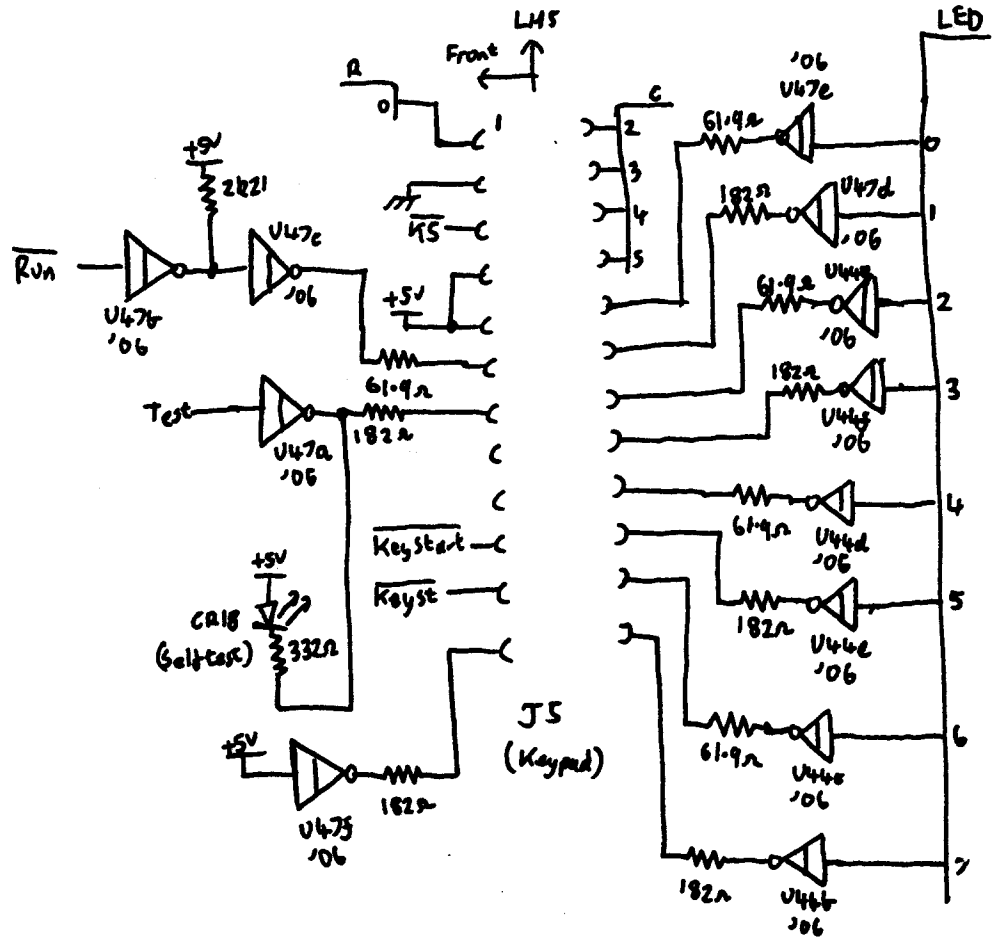




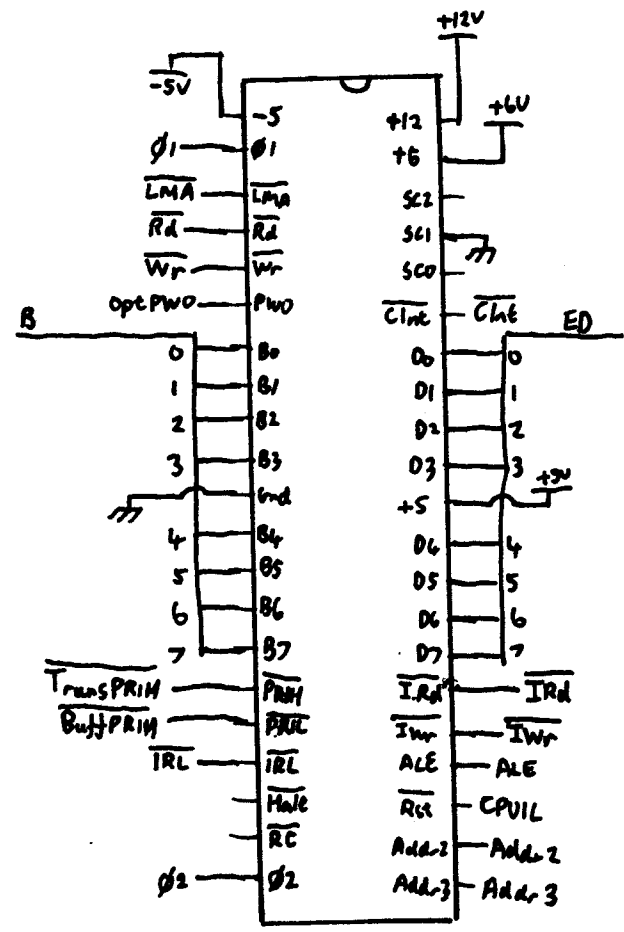
U36  
IMAG-0101  
I/O Buffer





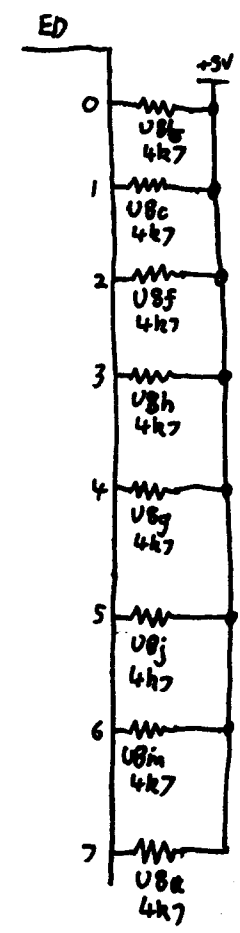
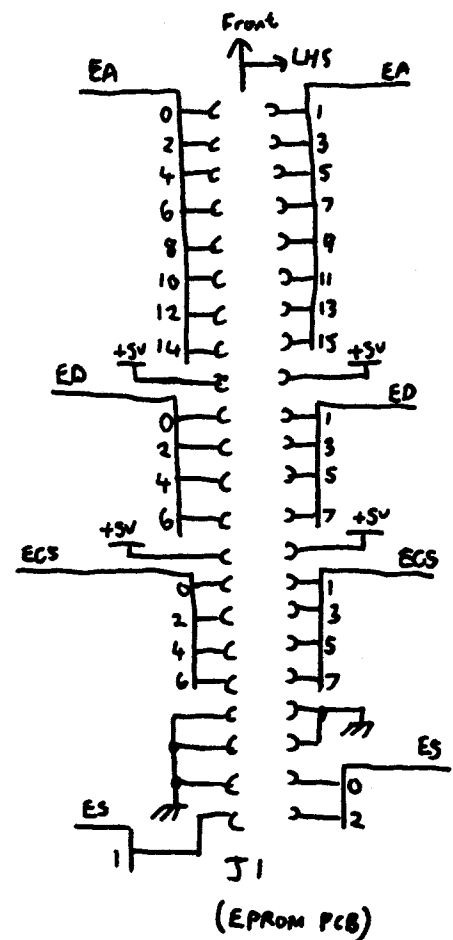
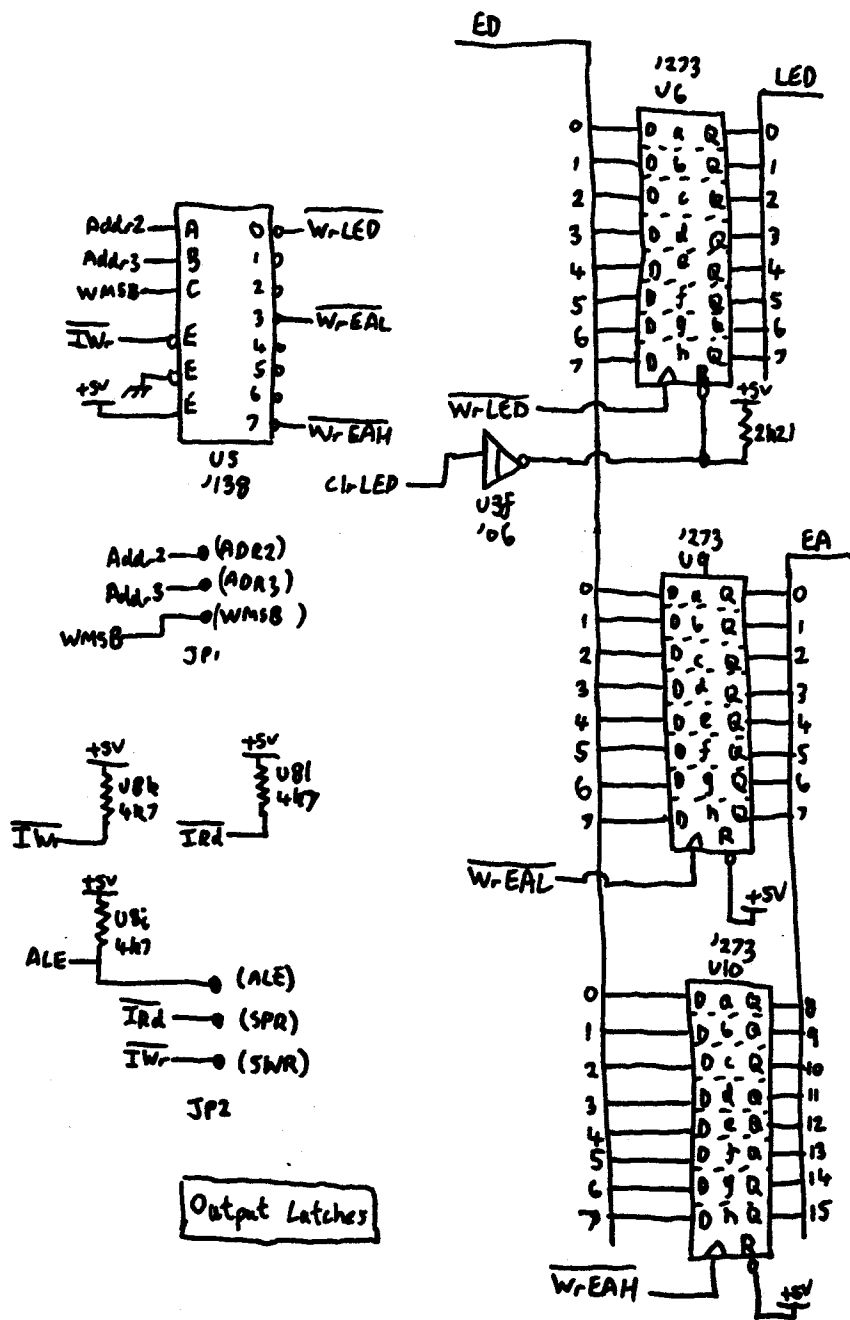


LED Drivers



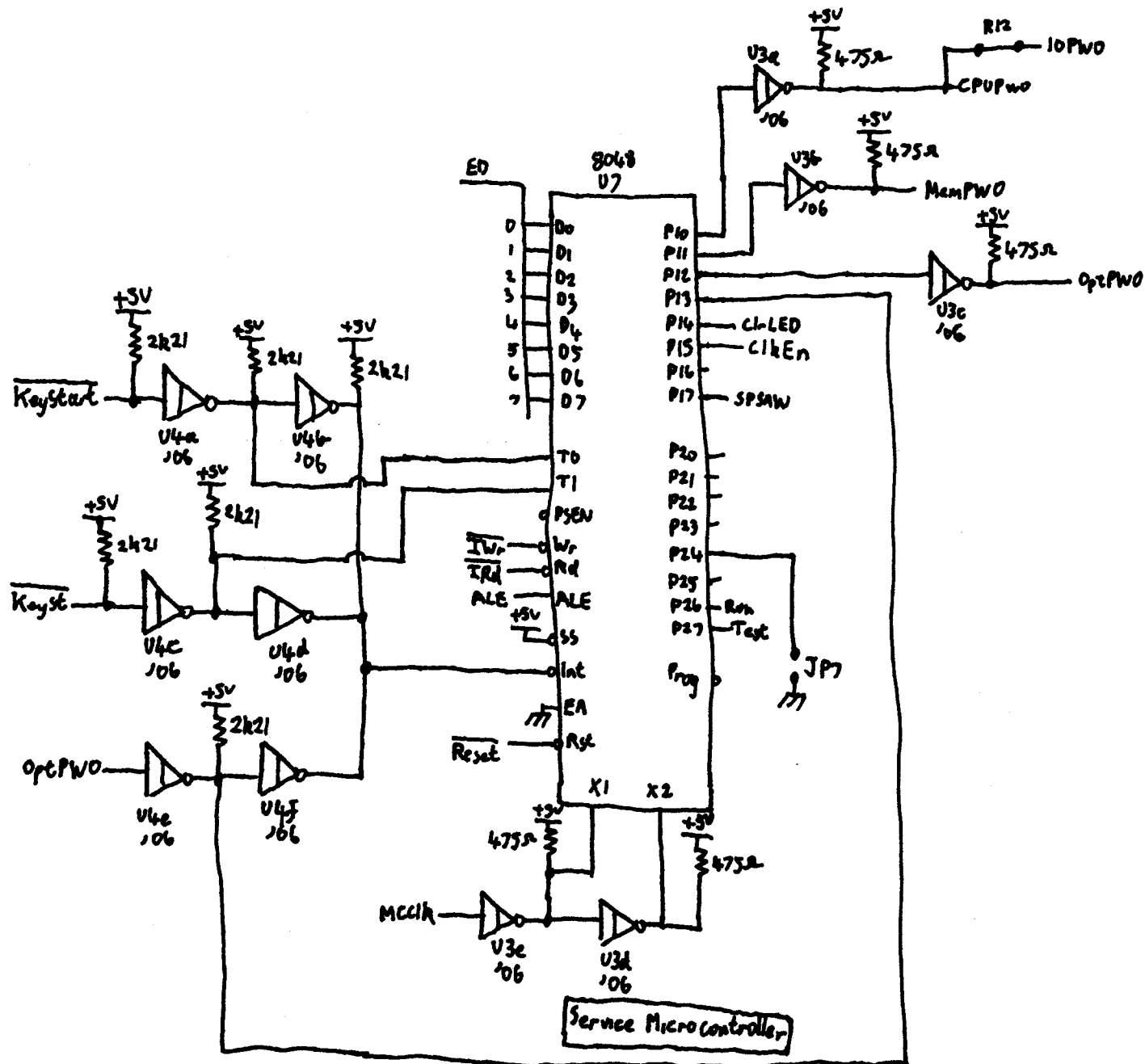
U28  
1M85-0002  
I/O Translator

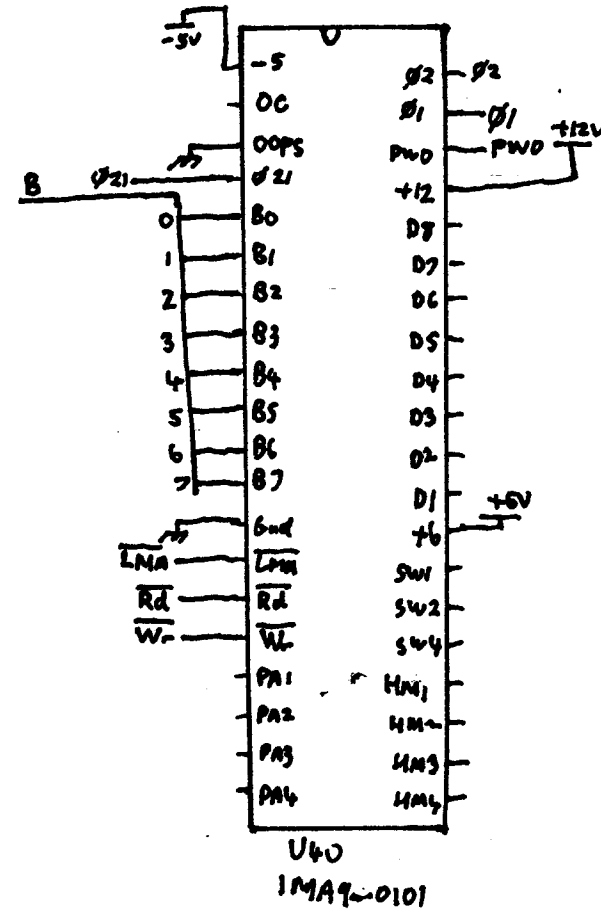
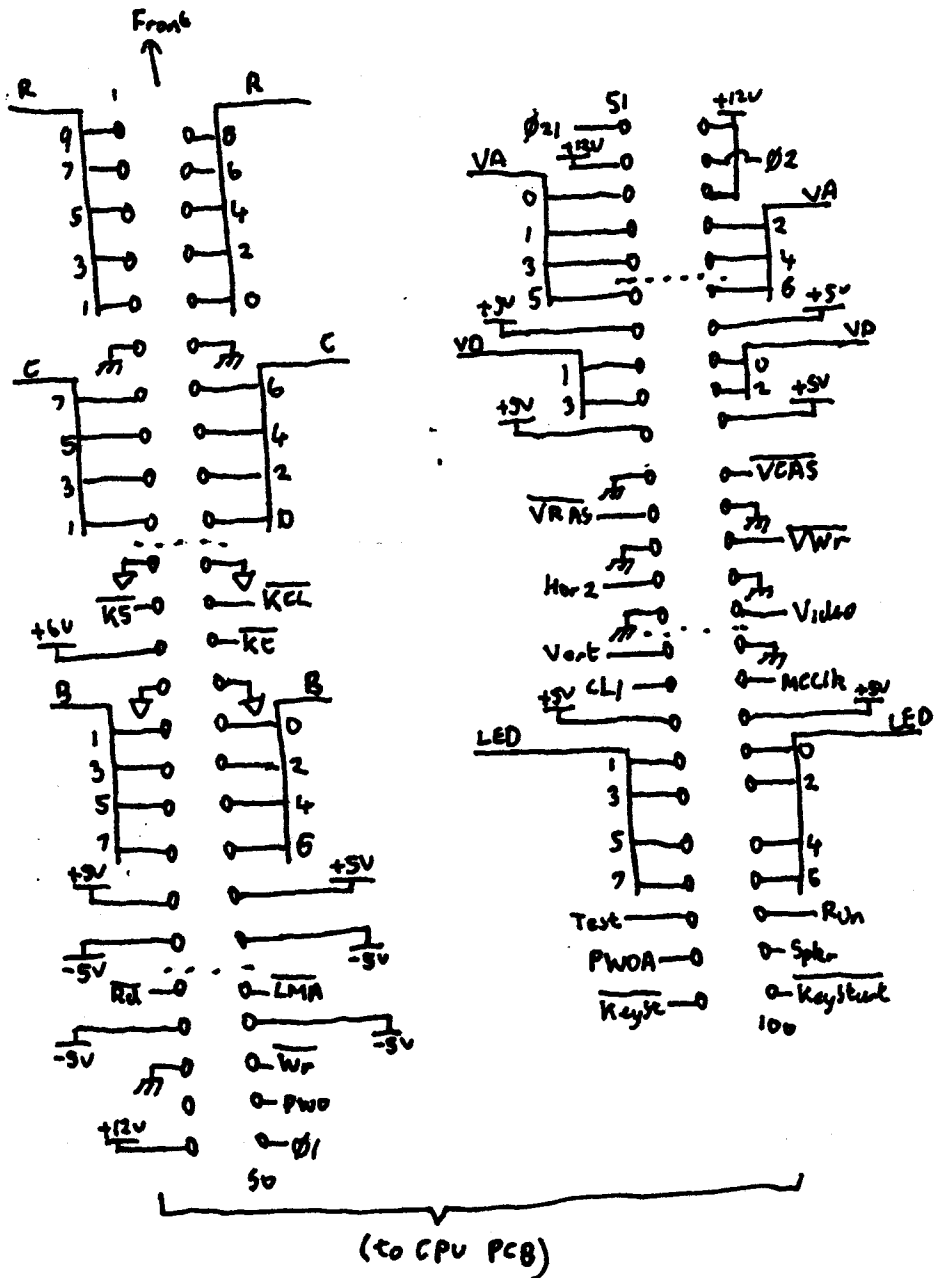
- φ1 → (D1)
  - φ2 → (D2)
  - CPUIL → (CPUIL)
  - SPSAW → (SPSAW)
  - CInt → (CPSAW)
- JP4



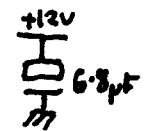
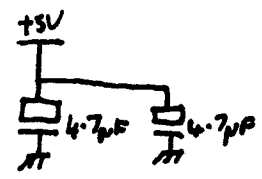
Output Latches

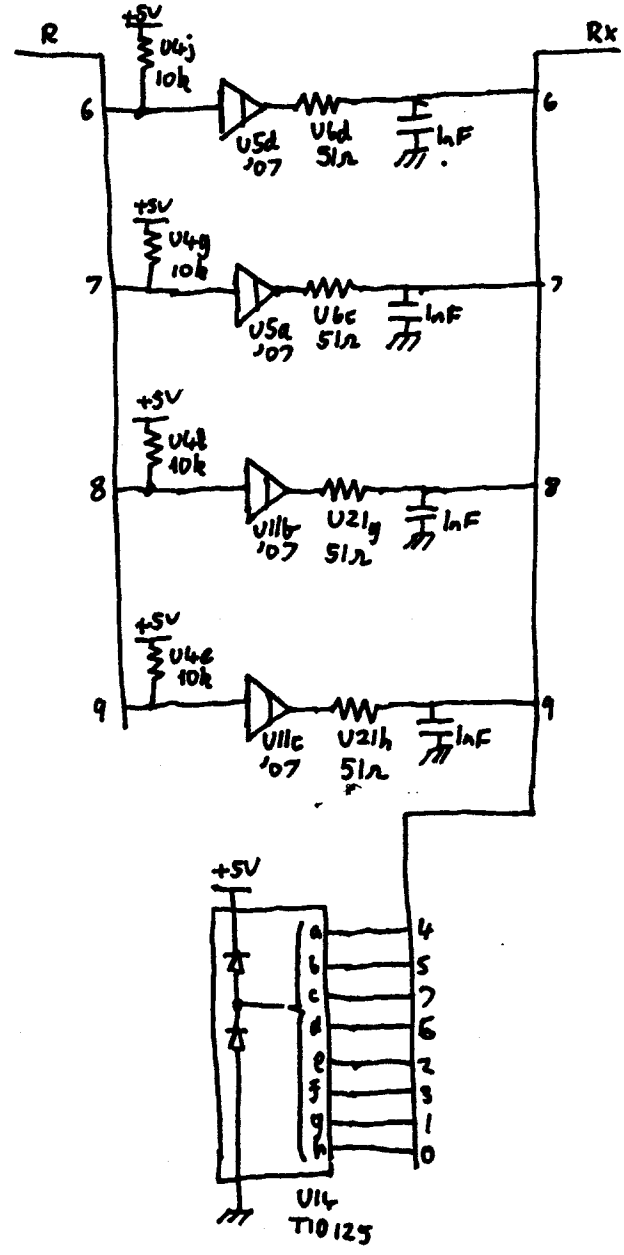
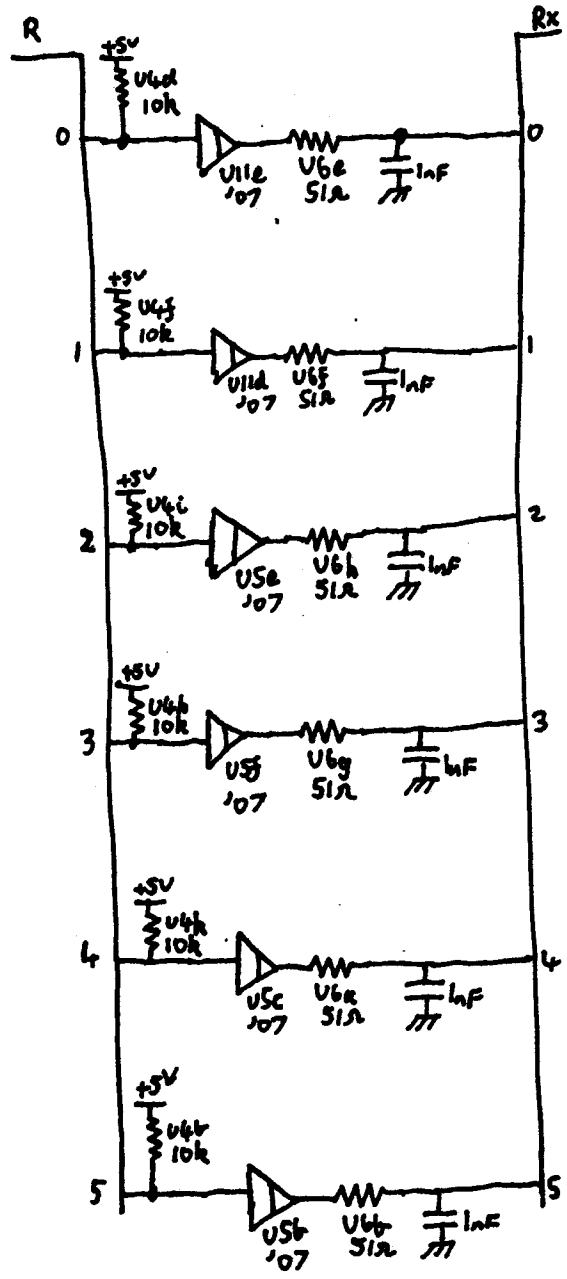
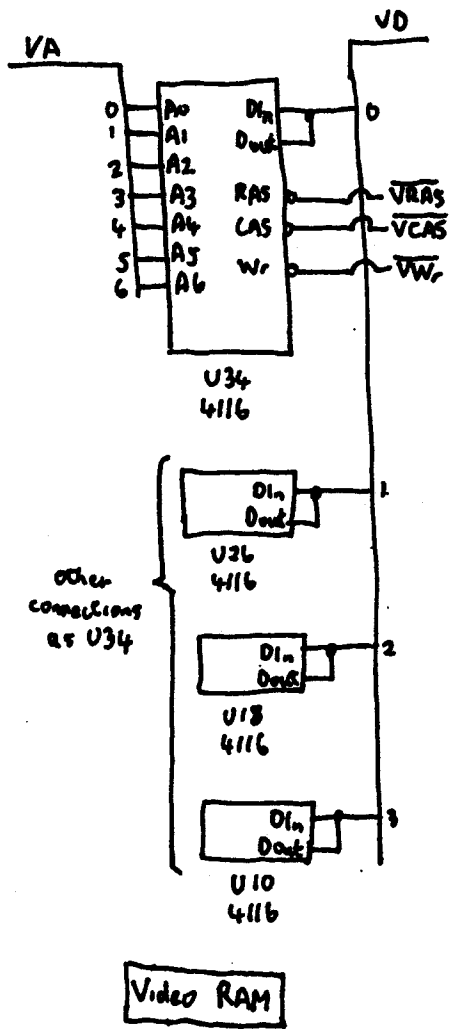
EPROM select



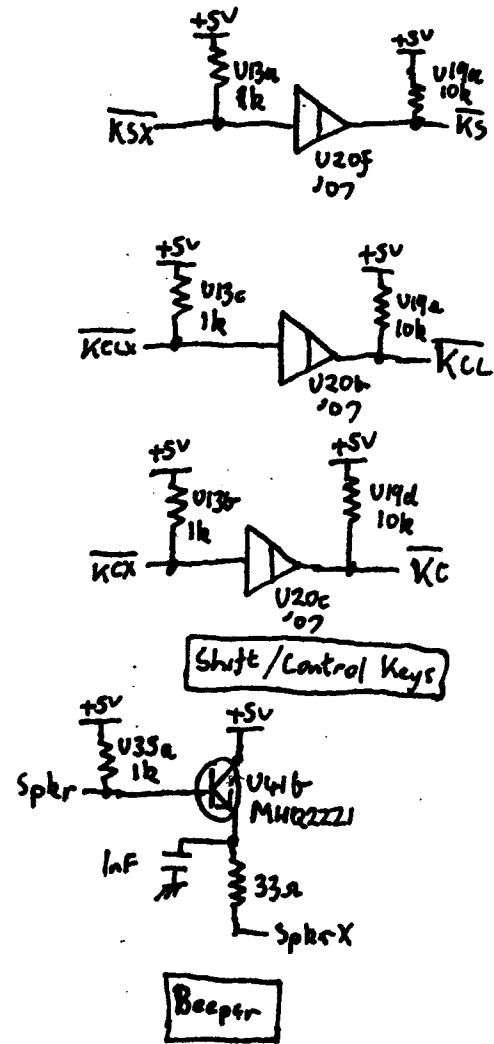
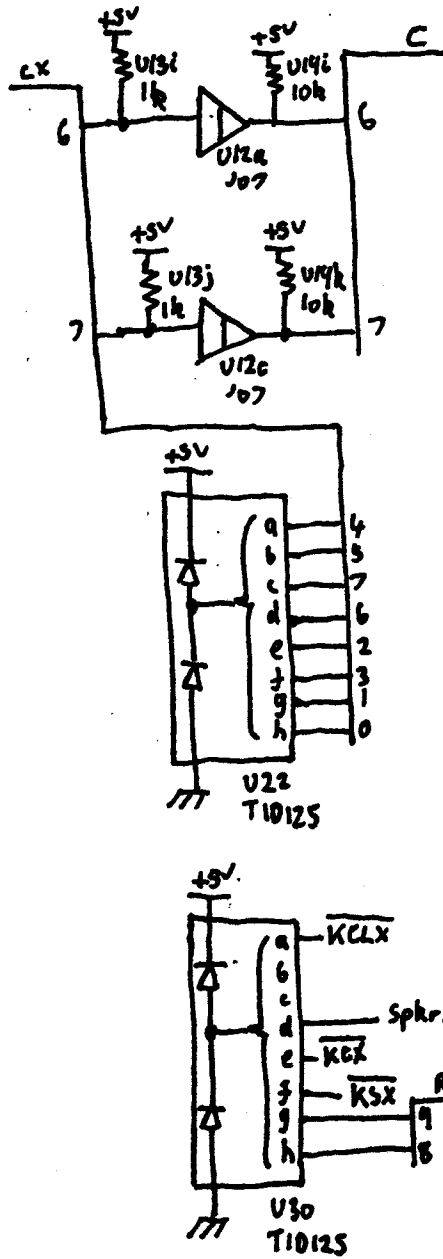
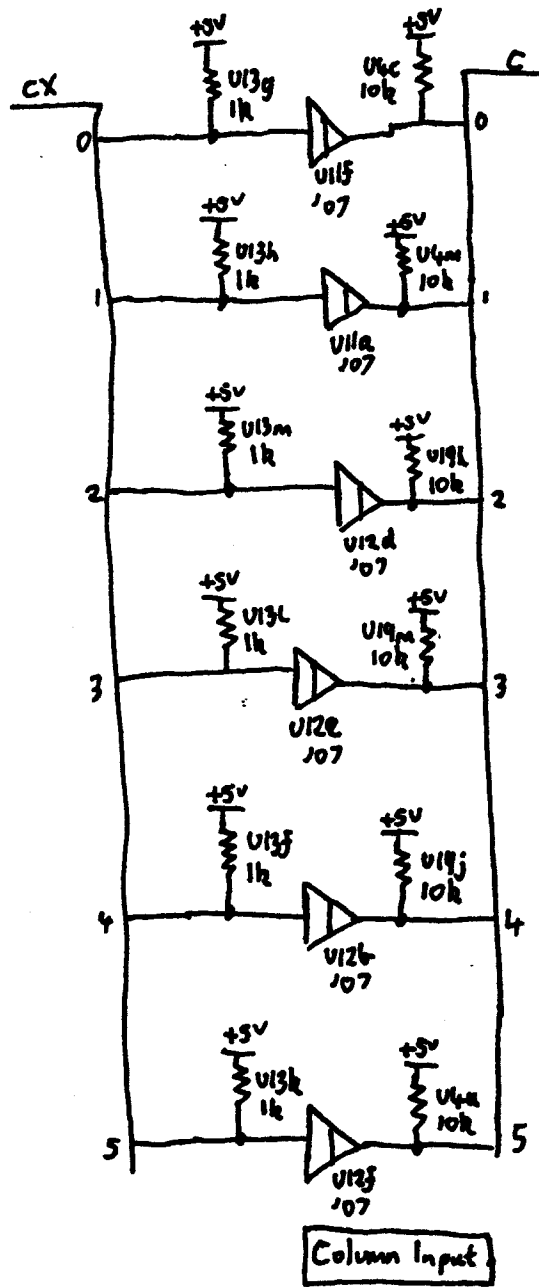


Printer Controller

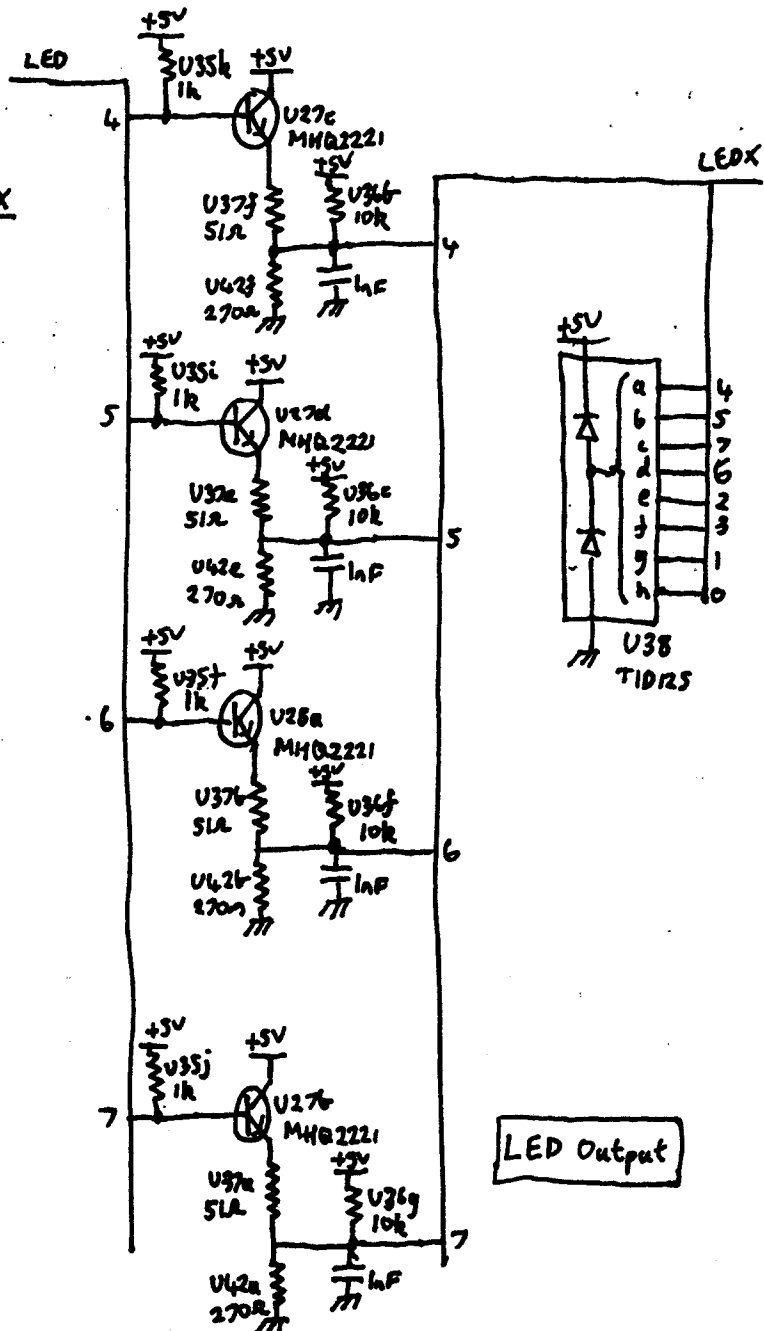
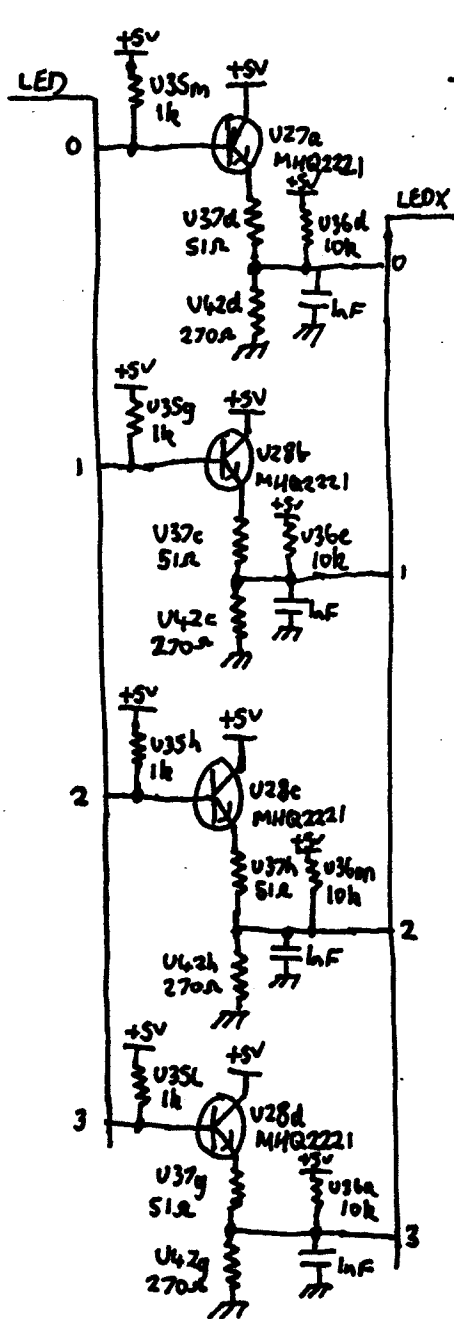
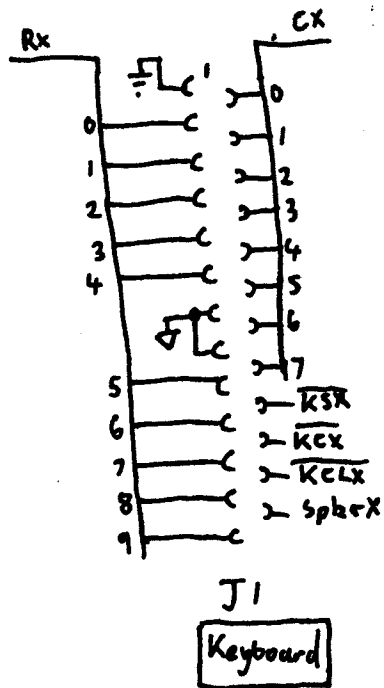


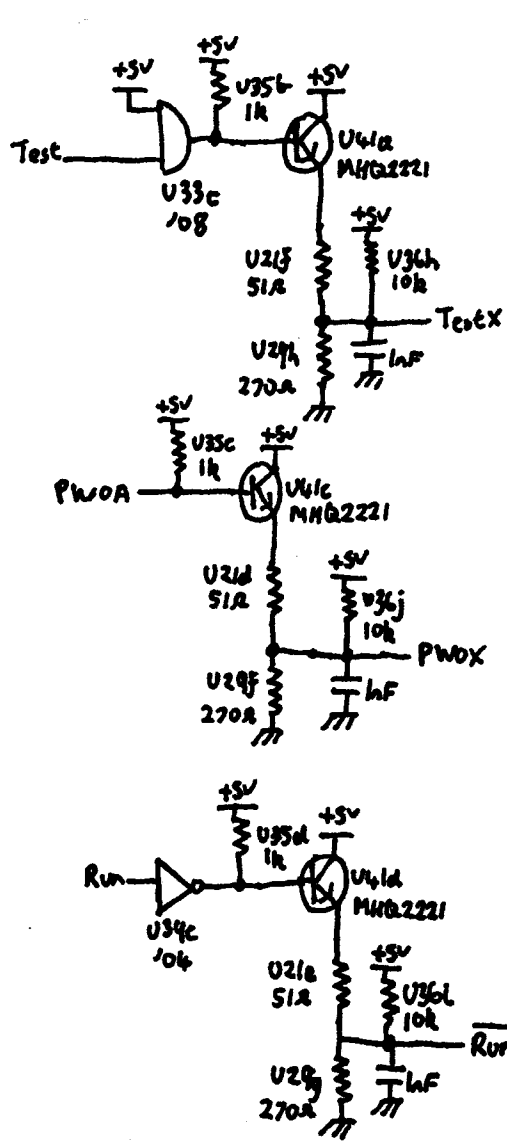


Row Drivers

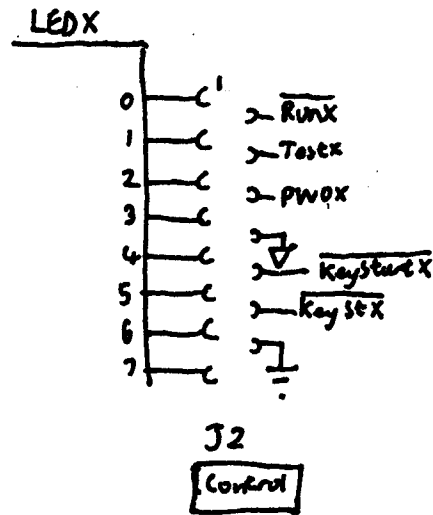
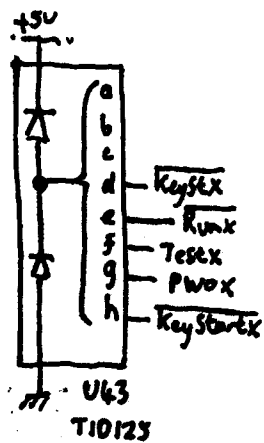
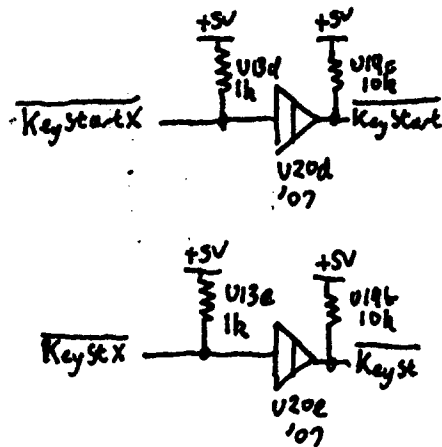




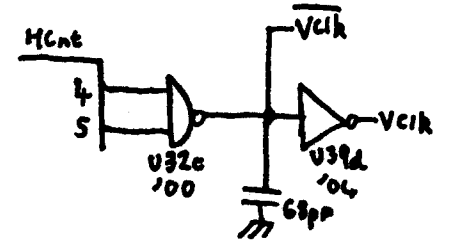
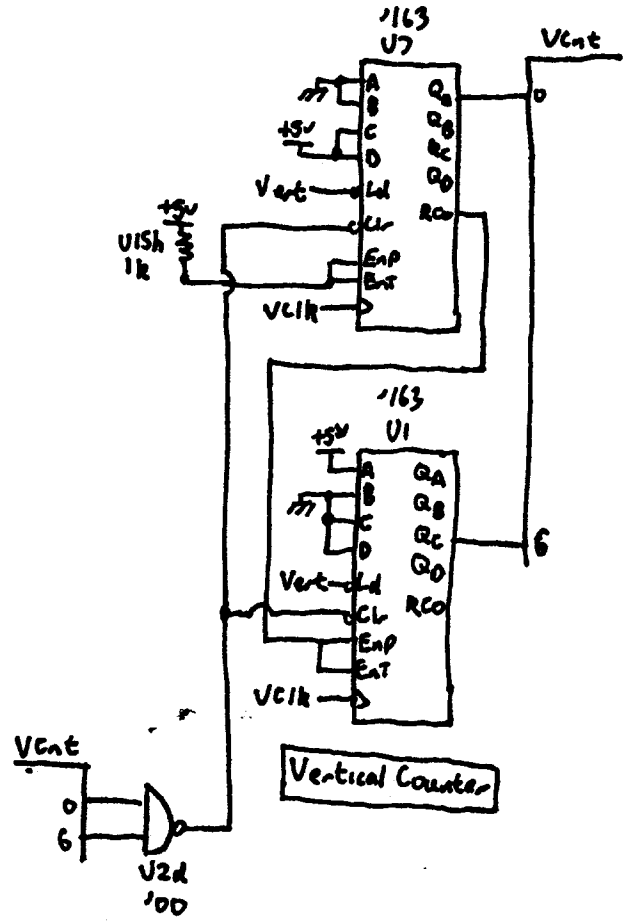
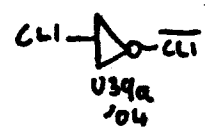
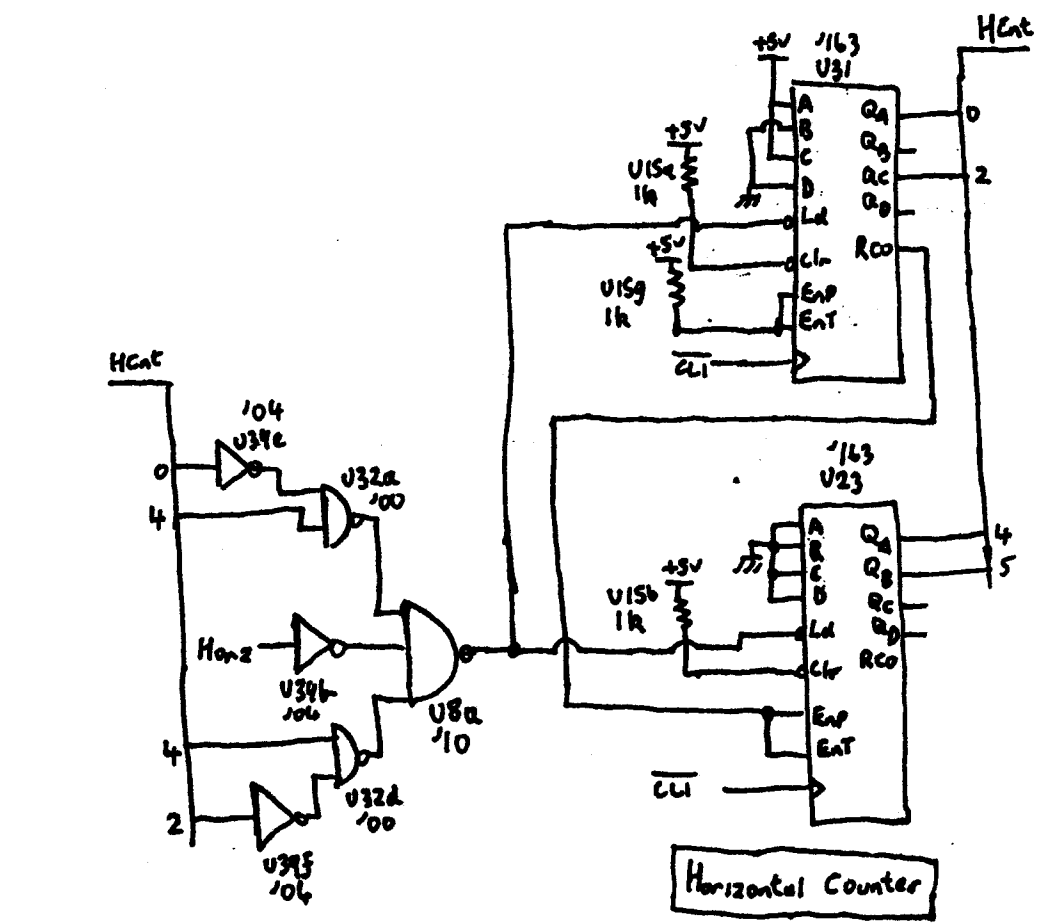


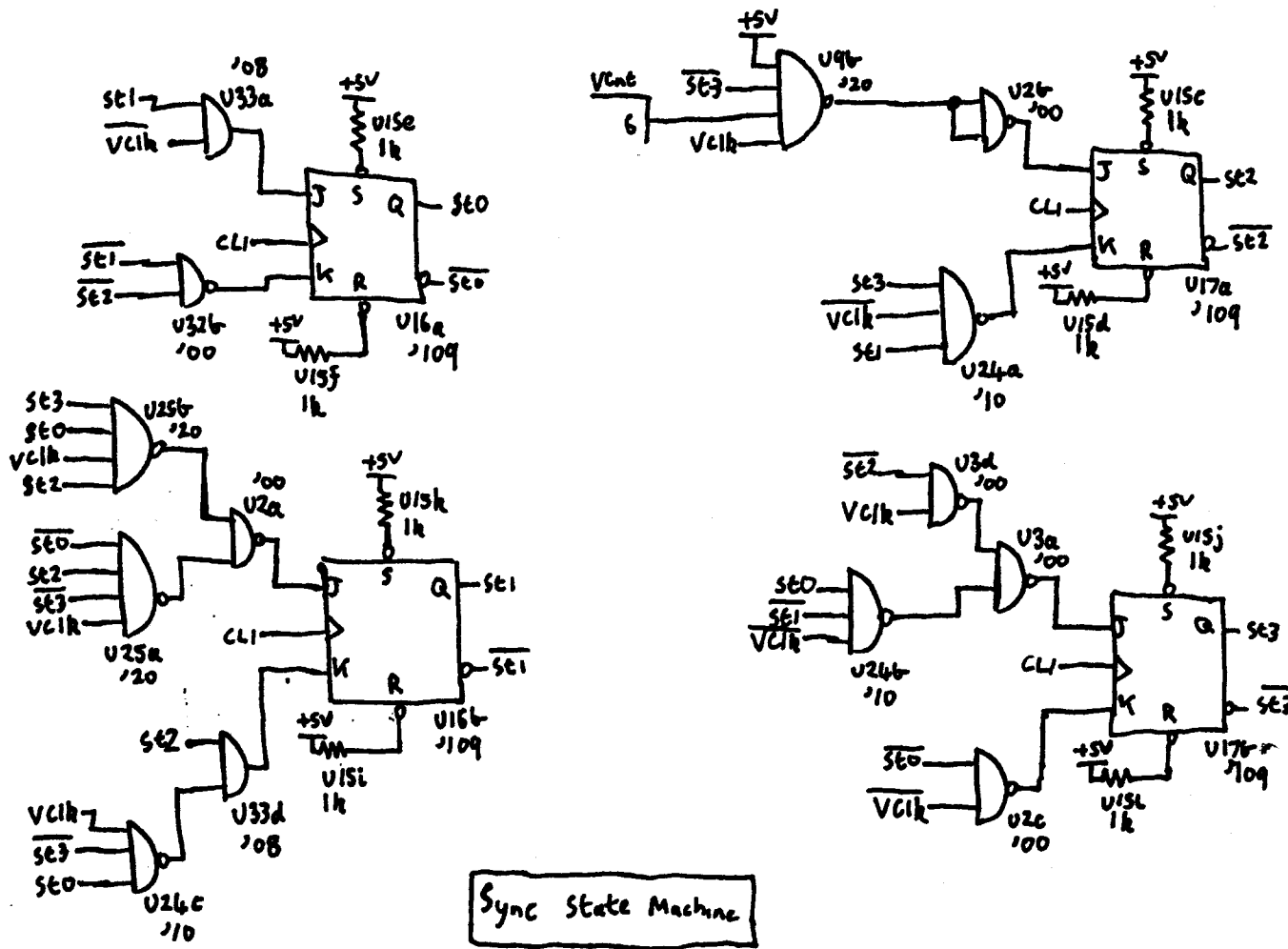


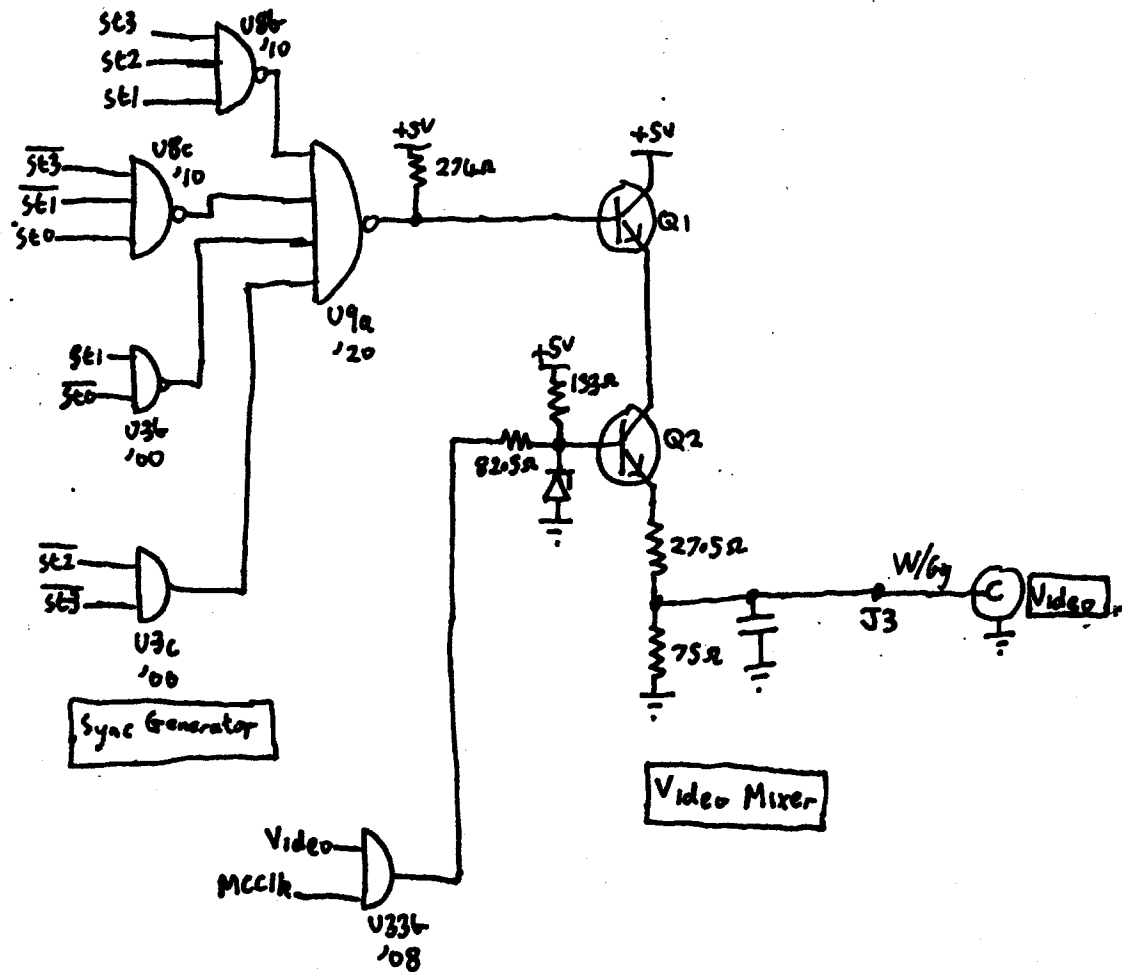
Status Buffers

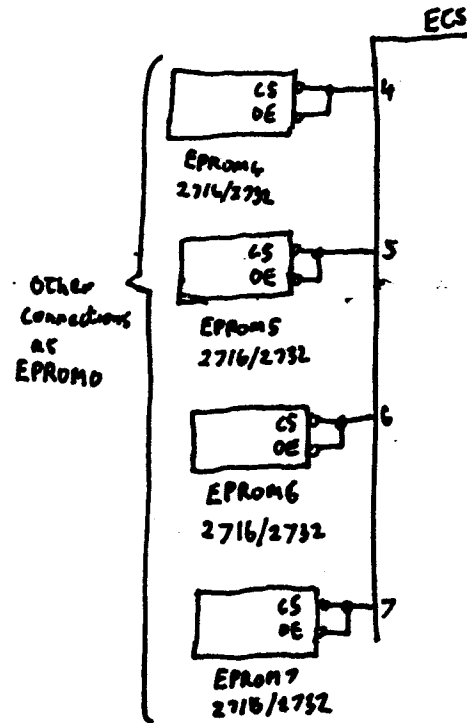
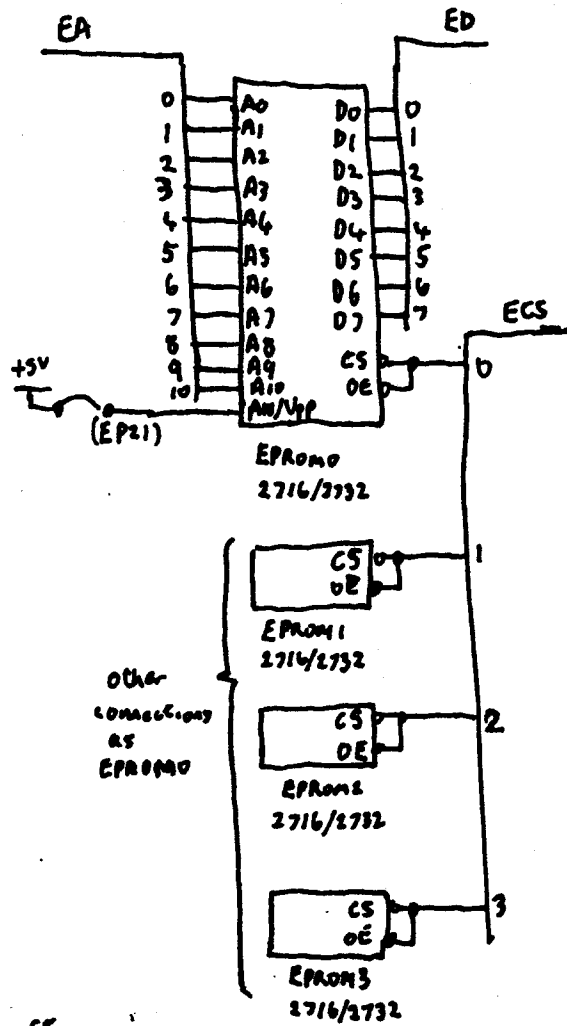
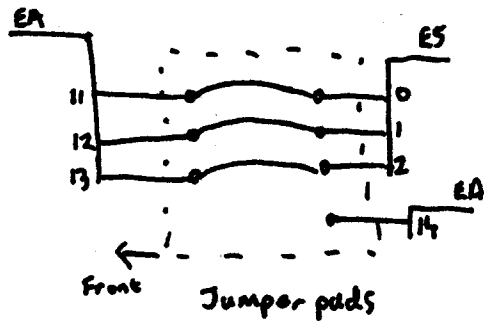
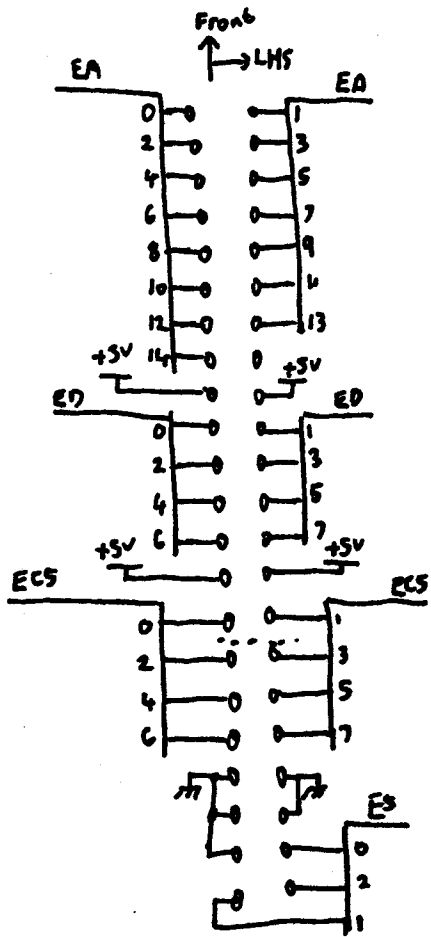


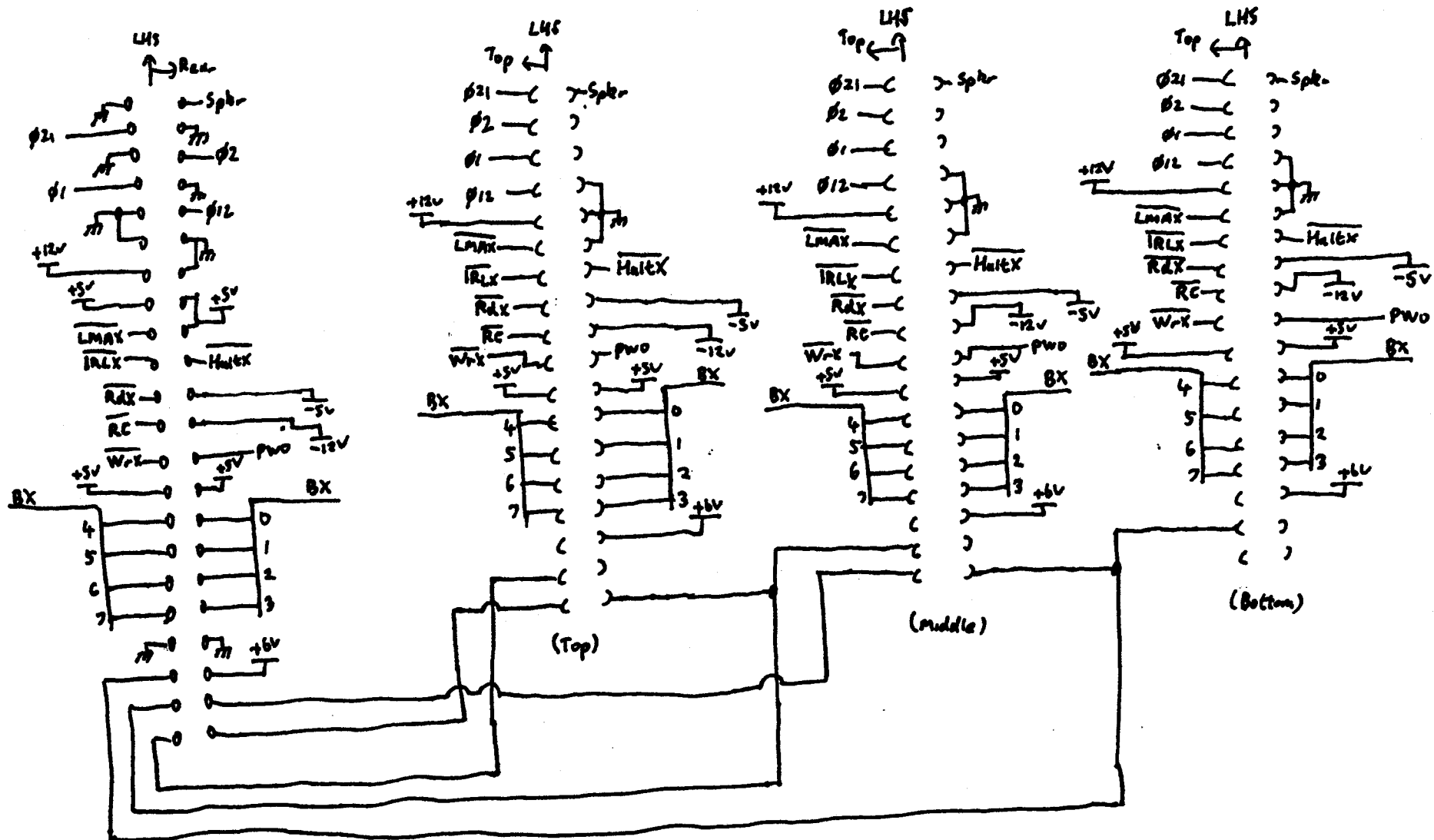
J2  
Control

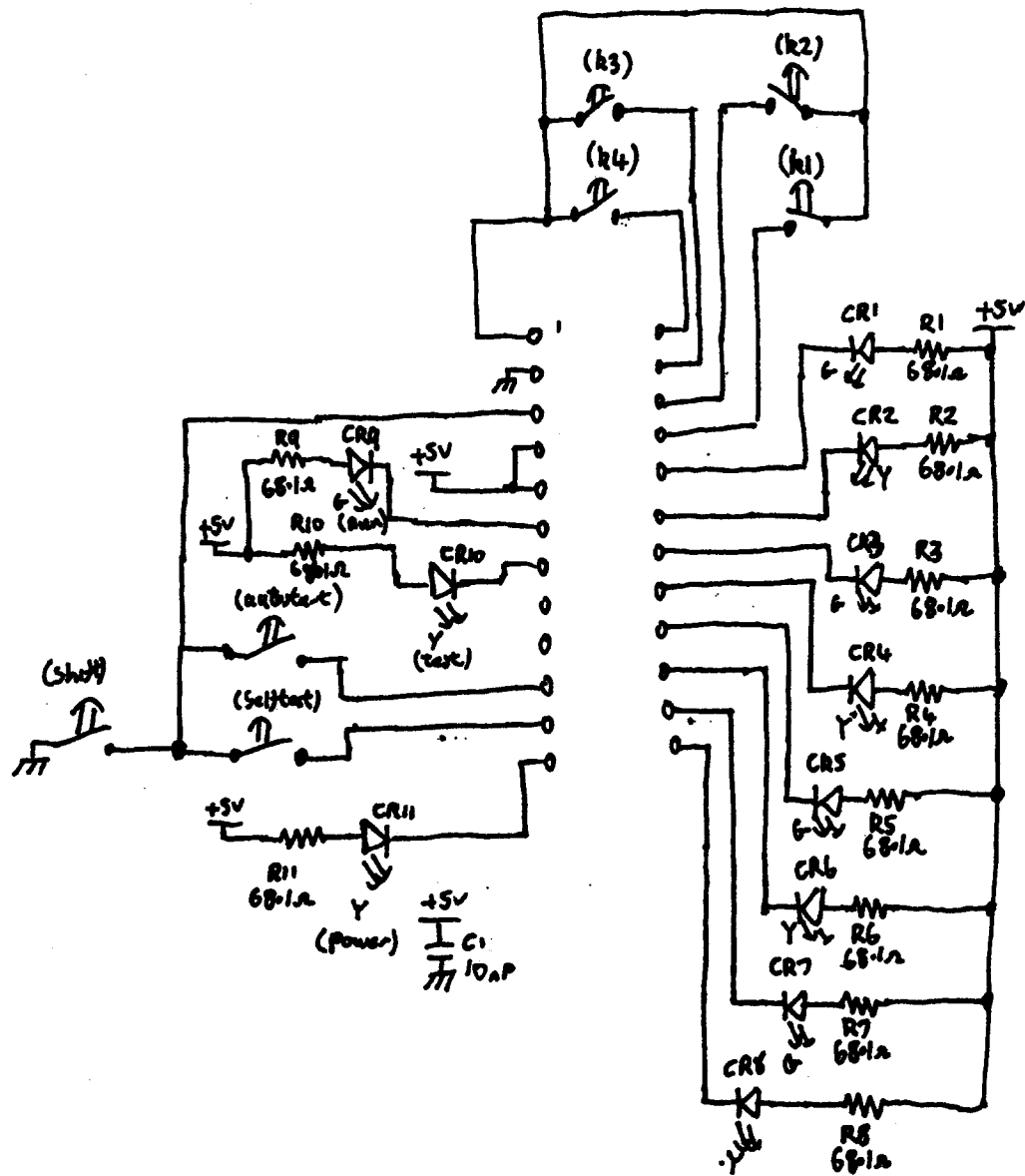




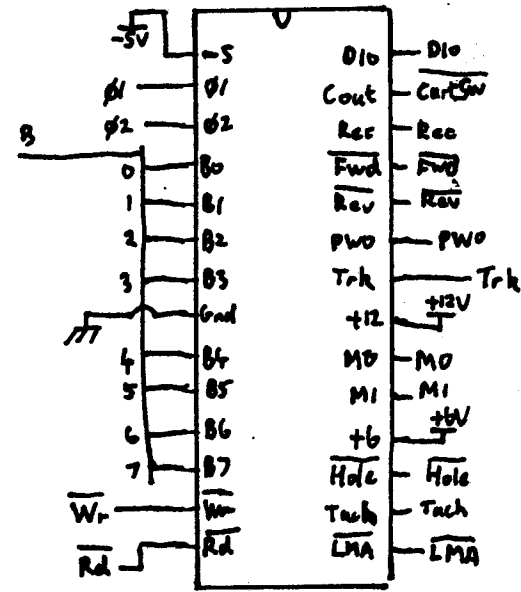
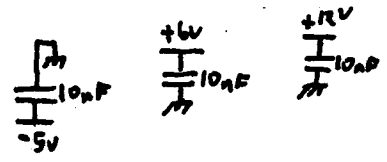
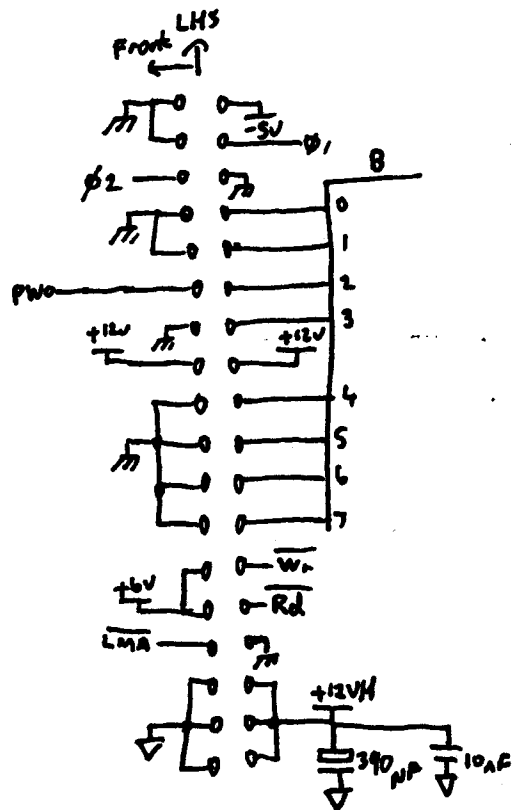




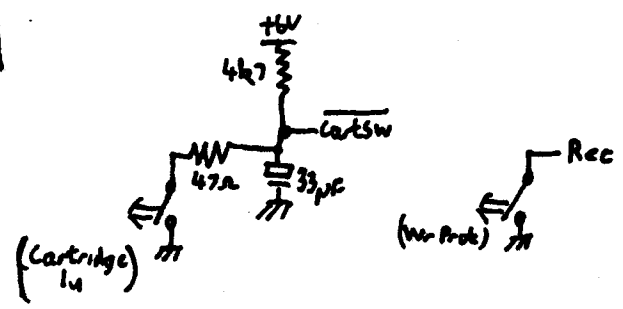
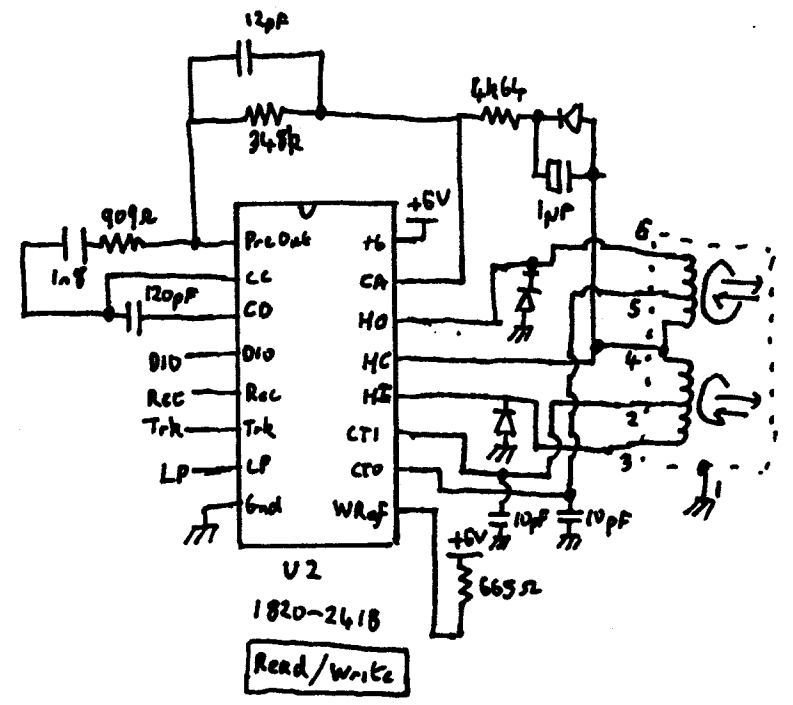


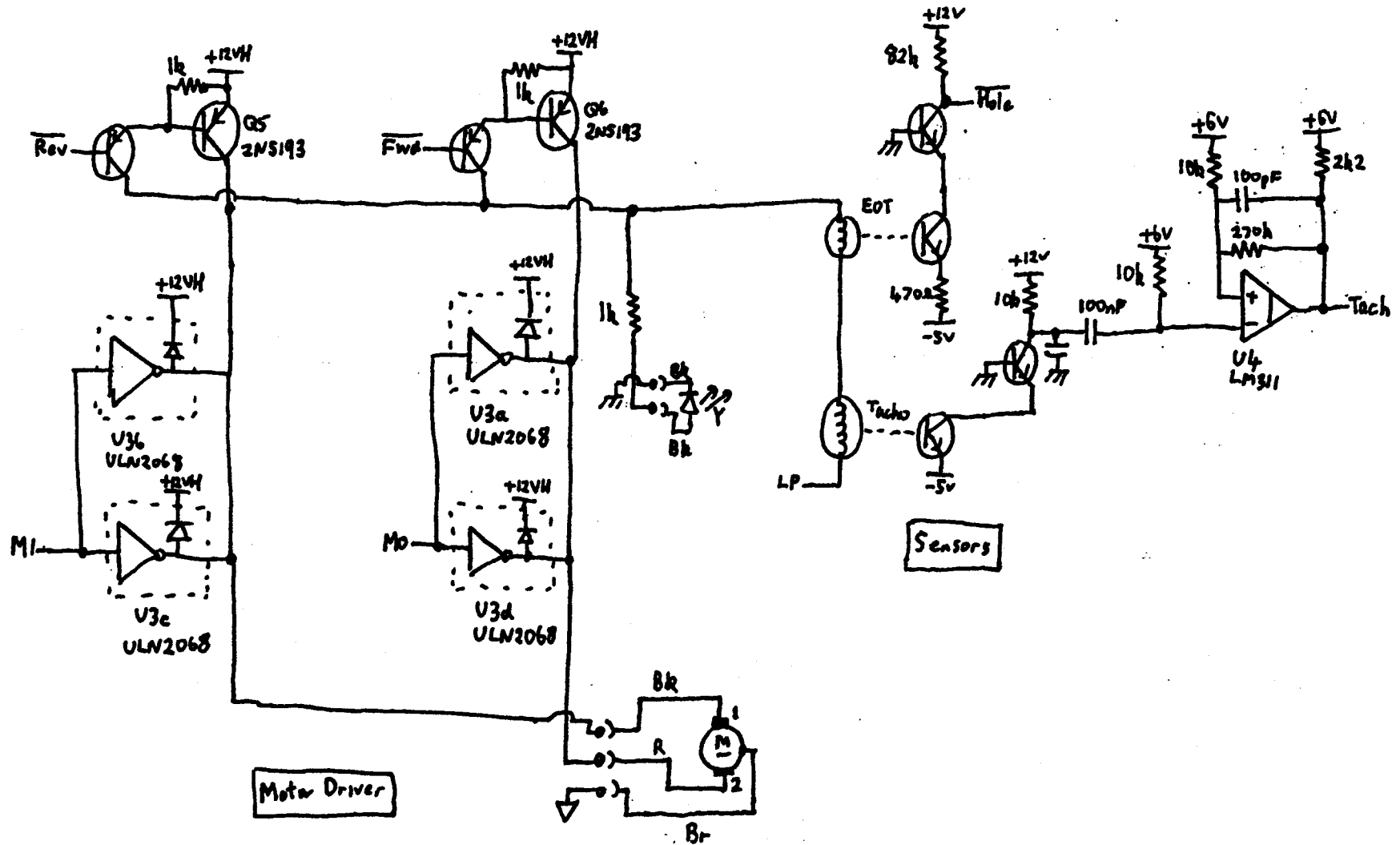


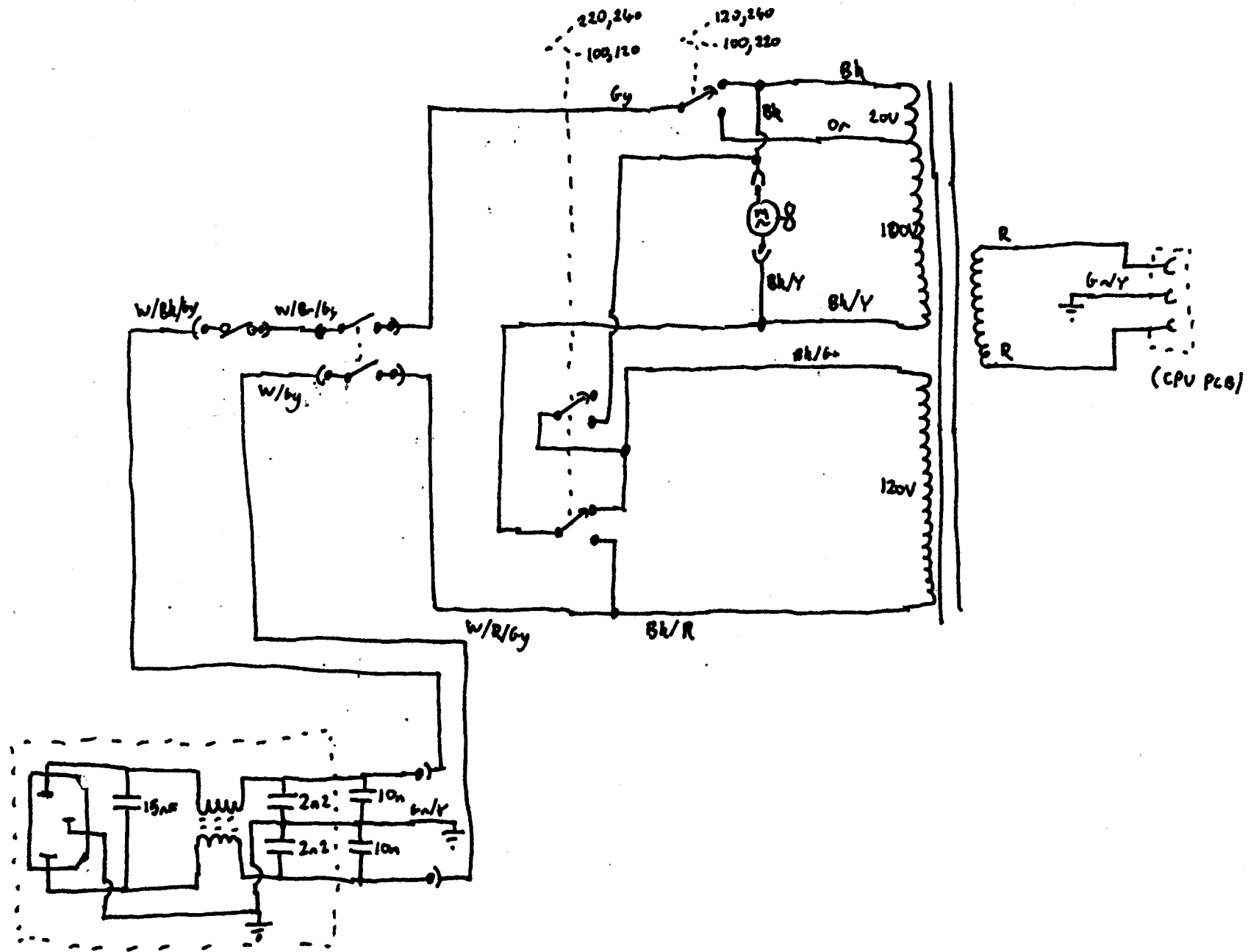




U1  
IMAG-0001  
Tape Controller







HP9915 Transformer Wiring